



Catalog

Couplings

DODGE[®]

ABB



We provide motors, generators and mechanical power transmission products, services and expertise to improve customers' processes and optimize the total cost of ownership over the total life cycle of our products, and beyond.

Couplings

Contents

	Features and benefits
5	D-Flex
6	Raptor
8	Para-Flex®
9	StarFlex
10	Grid-Lign
12	Gear
13	Moment
	Selection
14	Coupling selection method
15	Coupling service factors
	Ratings / Dimensions
19	Raptor
24	Para-Flex
28	Taper-Lock® bushings
30	D-Flex
34	StarFlex
38	DGF Gear
40	Grid-Lign
45	Moment Coupling
46	Modifications / Accessories
47	Engineering Section
50	IEC Quick Selection Tables
54	Part Number Index

The Dodge® coupling family

Uniquely engineered to damp vibration, accommodate shaft misalignment, and eliminate unexpected downtime.

Dodge has manufactured couplings for over 100 years, earning a reputation for developing innovative products that lower customers' total cost of ownership.

The Dodge coupling product line can offer a solution to almost any customer need. Whether the need is an elastomeric or metallic design, Dodge can provide a coupling with the potential to increase torque capacity, accommodate shaft misalignment, extend life, and put an end to unexpected downtime.

Combining Dodge coupling products with the overall ABB, Baldor®, and Dodge product lines, customers can order complete system packages containing a variety of designs, sizes, and options. The large product offering allows pump, conveyor, and fan users to have a drive, motor, coupling, gearbox, bearings, and conveyor pulley from the same manufacturer. This ability to provide a single source system design with the product breadth and depth of Dodge is an advantage shared with no other manufacturer in the marketplace.



Elastomeric, sleeve style

Dodge® D-Flex couplings

Three-way flexing action handles shock, vibration, and misalignment

The Dodge D-Flex coupling features molded, non-lubricated, interchangeable elastomeric sleeves of EPDM, Neoprene, or Hytrel. Its three-way flexing action accommodates torsional, angular, and parallel misalignment, as well as axial misalignment.

Type S coupling

The Type S coupling features high strength cast-iron flanges, that are bored to size for a clearance fit, and balanced to AGMA Class 9 Standards, resulting in smooth operation for pumping applications. With one setscrew over the keyway and the other at 65°, D-Flex S flanges provide optimum shaft attachment. Type S couplings are offered with EPDM, Neoprene, or Hytrel sleeves.

Type SC coupling

Dynamically balanced to AGMA Class 9 Standards, the Type SC spacer coupling accommodates a wide range of ANSI and ISO between shaft end distances. It features a drop-out center assembly for easy equipment maintenance. Additionally, shaft hubs include hub flats for ease of alignment during installation, and are available in either rough stock bore or clearance fit finished bore.

Pump drive package

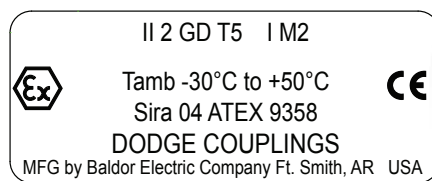
The Dodge D-Flex coupling is very popular in pumping applications due to the five-piece spacer design's ease of installation and change out. ABB, Baldor® Electric, and Dodge can package together the controls, drives, motors, and couplings needed for common pumping applications.



Dodge D-Flex Type S coupling



Dodge D-Flex Type SC spacer coupling



EPDM and Neoprene D-Flex elements are ATEX certified.

Dodge D-Flex coupling metric and imperial ratings*

Coupling style	Size range	Max. torque*		Power per 100 RPM*		Max. speed*	Max. bore*		Misalignment capability (angular)	Misalignment capability (parallel)		Misalignment capability (end-float)	
		N-m	In-lbs	kW / 100	HP / 100		mm	Inch		mm	Inch	mm	Inch
Close-Coupled, EPDM or Neoprene Sleeve	5S - 16S	5,338	47,250	55	74	7,600	140	6	1°	0.25 - 1.57	0.01 - 0.06	0.76 - 3.18	0.03 - 0.13
Close-Coupled, Hytrel Sleeve	6S - 14S	8,189	72,480	85	115	6,000	127	5	0.25°	0.25 - 0.89	0.01 - 0.04	1.52 - 3.18	0.06 - 0.13
Spacer, EPDM or Neoprene Sleeve	5SC - 14SC	5,338	47,250	55	74	7,600	86	3.88	1°	0.25 - 1.57	0.01 - 0.06	0.76 - 3.18	0.03 - 0.13
Spacer, Hytrel Sleeve	6SC - 14SC	8,189	72,480	85	115	6,000	86	3.88	0.25°	0.25 - 0.89	0.01 - 0.04	1.52 - 3.18	0.06 - 0.13

*Listed values represent the range of the entire product line. Ratings listed are the maximum ratings for the largest coupling size. Ratings are dependent upon coupling size. Use appropriate selection methods during sizing or contact Dodge application engineering for assistance.

Elastomeric, split tire style

Dodge® Raptor couplings

Elastomeric coupling innovation

Natural rubber WingLock™ element

- Finite-Element optimized flexible design, featuring WingLock technology
- Higher bond strength, improved fatigue resistance, and documented longer life
- Industry leading misalignment capabilities
- Torque range up to 38,438 Nm

Easier installation & reduced maintenance

- Slotted clamp ring holes offer 187% more hardware clearance
- Split element for easy replacement
- Drop-in interchange without any modifications or additional materials
- Maintenance free element

Engineered for longer life and improved reliability

The Dodge Raptor features patented WingLock technology, a finite-element optimized winged elastomeric design that provides longer driven equipment life and improved reliability. WingLock technology increases surface area in the most critical regions of the element, resulting in higher bond strength, improved fatigue resistance, and longer life versus competitive urethane designs. A non-lubricated natural rubber element results in lower stiffness, improved vibration damping, and industry leading misalignment capabilities.

Superior natural rubber element

The Raptor features a flexible natural rubber element that offers a number of performance benefits versus competitive urethane designs.

- Static conductive for grounding redundancy, allows current to safely pass through the element, preventing the possibility of arcing during operation
- Exceptional resistance to hydrolysis, for improved performance in humid conditions
- Superior thermal conductivity and ability to dissipate heat



Longer driven equipment life

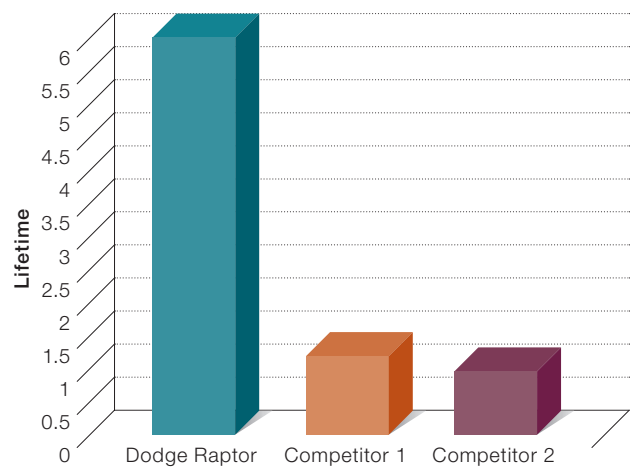
- Rigorously tested to 10x DIN 741 coupling standards
- Significantly lower torsional and bending stiffness
- Up to 16.7x increase in connected L_{10} bearing life
- ISO class 10.9 hardware offers a 40% increase in proof strength

Flexible mounting options

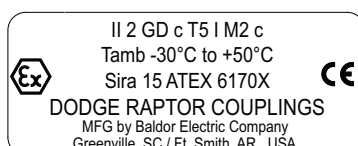
- Close-coupled and spacer designs for a wide range of shaft gaps
- Interchangeable hubs for reduced inventory
- Finished bore hubs with setscrew locking for easy installation
- Taper-Lock® bushed hubs for clean, compact installation
- Bores up to 229 mm

Documented performance

Comparative benchmark testing confirms the performance improvement associated with Raptor's WingLock element design. Even under worst-case misalignment and torque conditions, test results show that the Raptor lasts up to six times longer than the closest competitor.



Results based on accelerated life testing at 1.5x catalogued torque, while subject to 4° angular misalignment and 4.8 mm parallel misalignment.



Elastomeric, split tire style

Dodge® Raptor couplings

Longer driven equipment life

Leveraging over 50 years of expertise, the Raptor features a natural rubber element that is significantly more flexible than urethane designs.

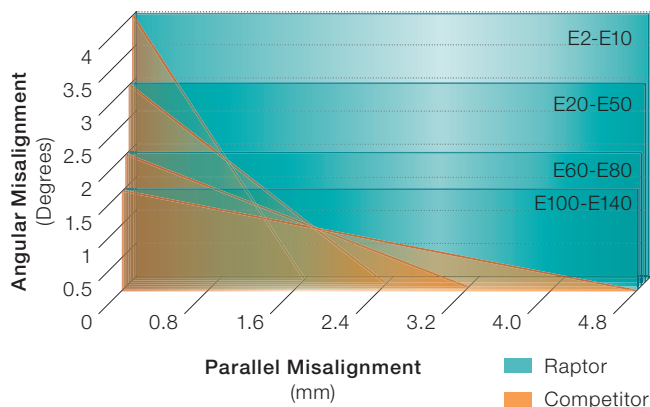
- Approximately 50% lower torsional and bending stiffness
- Longer life for all types of equipment – including motors, pumps, compressors, and gearboxes
- Reduced connected equipment bearing loads yield up to a 16.7x increase in L_{10} bearing life
- Better shock damping and less vibration

Easier installation and reduced maintenance

The Dodge Raptor has everything needed for easier installation and reduced maintenance costs:

- Split element for easy replacement without moving and re-aligning connected equipment
- Slotted clamp ring holes offer 187% extra mounting clearance versus competitor's designs
- 50% lower torsional stiffness makes the element significantly easier to manipulate by hand during installation
- Maintenance free non-lubricated natural rubber element for trouble-free operation

Industry leading misalignment capabilities



Easy as 1-2-3

Installing Dodge Raptor couplings is quick and easy. The Raptor's horizontally split element doesn't require locking shafts during installation, meaning a faster installation that requires fewer tools and eliminates shaft damage. Simply fasten the shaft hubs, install the element, and tighten the hardware.



Third-party ATEX certified

When it comes to applications in hazardous environments, there's no reason for customers to assume any risk by using a product which is self-certified. That's why Raptor couplings are third-party ATEX certified for worry-free use in hazardous environments. All required product markings and documentation are included with each coupling at no additional charge.



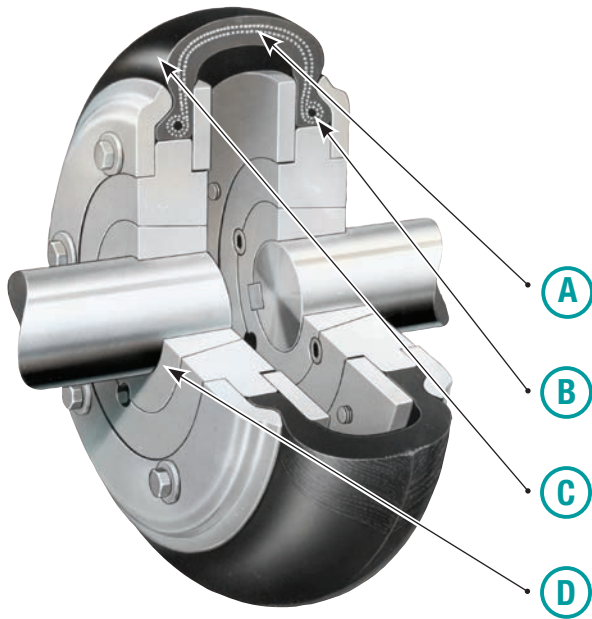
The Raptor is backed by over 50 years of natural rubber expertise and offers an industry leading 5-year warranty, even when used with competitors components.

Elastomeric, flange-mounted tyre style

Dodge® Para-Flex®

Superior design provides advantages over other rubber or polyurethane elements

Dodge Para-Flex elements are manufactured with reinforcing fabric tension cords that transmit much of the torque during operation. The uniform and centered bead in the foot of the tyre element prevents it from pulling out during operation. Additionally, the tyre element is reinforced at the split to reduce fatigue and extend life.



- A** Fabric centered throughout rubber increases tyre life.
- B** Centered bead prevents tyre element from pulling out of flange.
- C** Tyre element is reinforced at the split to reduce fatigue and extend life.
- D** Taper-Lock® bushings for easy installation and removal.

Torsionally soft rubber protects connected equipment

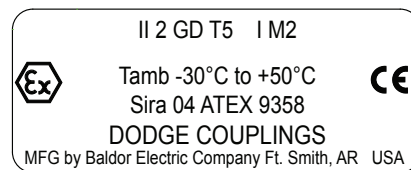
The flexible design of the Dodge Para-Flex element is crucial in preventing damage to connected equipment in harsh-running environments. The torsional softness is instrumental in damping vibrations and absorbing shock loads to the system.

Industry leading misalignment capabilities

Dodge Para-Flex elements provide accommodation of shaft misalignment during installation, running-time, and replacement better than other elastomeric elements. With an industry-leading combined 4° angular, 3.17 mm (1/8 in.) parallel, and 7.93 mm (5/16 in.) end-float capability, Para-Flex couplings will perform in difficult applications and reduce valuable time needed for installation and maintenance.

Large installed base

With over 50 years of history and development, Dodge Para-Flex elements have the experience of providing reliable solutions in a wide range of industries and applications. Dodge Para-Flex couplings carry an industry-leading 5-Year Limited Warranty.



Dodge Para-Flex coupling metric and imperial ratings*

Coupling style	Size range	Max. torque*		Power per 100 RPM*		Max. speed*	Max. bore*		Misalignment capability (angular)	Misalignment capability (parallel)		Misalignment capability (end-float)	
		N-m	In-lbs	kW / 100	HP / 100		mm	Inch		mm	Inch	mm	Inch
PXMTL	PX40 - PX240	17,078	151,200	179	240	4,500	127	5	4°	3.18	0.13	7.94	0.31
PXTL	PX40 - PX320	51,180	453,000	535	718	4,500	203	8	4°	3.18	0.13	7.94	0.31

*Listed values represent the range of the entire product line. Ratings listed are the maximum ratings for the largest coupling size. Ratings are dependent upon coupling size. Use appropriate selection methods during sizing or contact Dodge application engineering for assistance.

Elastomeric, jaw style

Dodge® StarFlex couplings

An all-purpose versatile coupling

The Dodge StarFlex is a jaw type coupling that offers high torque capabilities for a wide variety of light to medium-duty applications. One of the most commonly used elastomeric couplings, the StarFlex is designed to damp system vibration, accommodate misalignment, while protecting other components from damage. Available with four types of insert materials to handle varying temperatures and environments, the StarFlex is directly interchangeable with industry standard components.



Jaw coupling advantages

StarFlex's simple design means easy installation, removal, and visual inspection. It also offers lighter weight and lower cost when compared to other coupling styles with similar torque capacity. Jaw couplings are fail-safe. If the insert element wears or breaks away, the coupling continues to operate until the insert can be conveniently replaced.

Choice of element inserts

The choice of the insert element makes a significant difference in the coupling's performance with regards to torque rating, vibration, temperature, chemical resistance, misalignment, speed, installation and removal.

Dodge StarFlex coupling metric and imperial ratings*

Spider element material	Size range	Max. torque*		Power per 100 RPM		Max. speed*	Max. bore*		Misalignment capability (angular)	Misalignment capability (parallel)	
		N-m	In-lbs	kW / 100	HP / 100		mm	Inch		mm	Inch
Nitrile	L035 - L225	264	2,340	2.77	3.71	31,000	67	2.63	1°	0.38	0.02
Urethane	L035 - L225	397	3,510	4.16	5.57	31,000	67	2.63	1°	0.38	0.02
Hytrel	L035 - L225	704	6,228	7.38	9.89	31,000	67	2.63	0.5°	0.38	0.02
Bronze	L035 - L225	704	6,228	7.38	9.89	250	67	2.63	0.5°	0.25	0.01

* Listed values represent the range of the entire product line. Ratings listed are the maximum ratings for the largest coupling size. Ratings are dependent upon coupling size. Use appropriate methods during sizing, or contact Dodge application engineering for assistance.

Element characteristics

Properties	Temperature range	Misalignment		Shore hardness	Damping capacity	Chemical resistance	Color
		Angular (degrees)	Parallel (in.)				
NBR (Rubber): Nitrile Butadiene Rubber is a flexible elastomer that is oil resistant, with the resilience and elasticity of natural rubber. Most economical and widely-used.	-40° to +100° C -40° to +212° F	1°	0.02	80A	High	Good	Black
Urethane: Urethane has 1.5 times greater torque capacity than NBR, provides less vibration damping, and has good resistance to oil and chemicals. Not recommended for high cycle applications.	-34° to +71° C -30° to +160° F	1°	0.02	55D L050 - L110 90 - 95A L150 - L225	Low	Very Good	Orange
Hytrel: Hytrel is a flexible elastomer suited to high torque and temperature applications. Excellent resistance to oil and chemicals. Not recommended for high cycle applications.	-51° to 121° C -60° to +250° F	0.5°	0.02	55D	Low	Excellent	Beige
Bronze: Bronze is a rigid, oil-impregnated metal insert designed for high torque, slow speed applications. (Maximum 250 RPM) Not effected by extreme extreme environments (temperature, water, oil, dirt).	-40° to +232° C -40° to +450° F	0.5°	0.01	—	Nil	Excellent	Gold

Metallic, grid style

Dodge® Grid-Lign couplings

Compact in size, yet high in torque capability

Dodge Grid-Lign couplings are available in a variety of sizes, in both standard and spacer styles. Every coupling features two steel shaft hubs, a tapered grid element, two seals and a cover assembly. Its versatile design allows for a motor or reducer output speed connection, and its speed capability ranges up to 6,000 RPM dependant on size. Dodge Grid-Lign is also available in both T31 and T35 spacer designs up to size 1200T. This spacer offering can be used as a spacer coupling, or mounted to a brake disc or drum.



Flexible tapered element

The Dodge Grid-Lign coupling's tapered grid element is engineered with high-strength, spring steel that is quenched and tempered. This feature helps isolate vibration and cushions shock loads. In addition, it allows uniform contact during light, normal, and shock-loading conditions for long machine life.

High torque capability

Torque capabilities on the Dodge Grid-Lign coupling range up to 800,000 N-m (7 million lb-in) dependant on size. Whether it is overland conveyors or underground mines, the high torque ratings allow for customers to specify a Grid-Lign coupling in the largest conveyor applications.



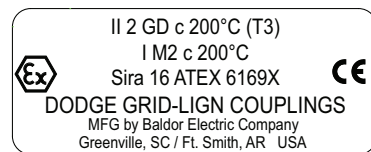
Dodge coupling grease

Dodge Coupling Grease

In order to minimize wear and maximize life, couplings should be lubricated with grease of a high viscosity and low centrifugal bleed rate. Specifically formulated to meet the needs of flexible shaft couplings, Dodge coupling grease is highly resistant to oil separation due to centrifugal forces. Dodge coupling grease is also compliant with AGMA 9001 lubrication recommendations for flexible couplings. Dodge coupling grease also reduces maintenance costs by significantly extending re-lubrication intervals. Dodge coupling grease is included with size 1020T-1090T couplings, and also available in cartridges, pails, kegs, and drums in order to meet all lubrication needs.



Sizes T10, T31, and T35



Size T20

Dodge Grid-Lign coupling metric and imperial ratings*

Coupling style	Size range	Max. torque*		Power per 100 RPM*		Max. speed*	Max. bore		Misalignment capability (angular)	Misalignment capability (parallel)		Misalignment capability (end-float)	
		N-m	In-lbs	kW / 100	HP / 100		mm	Inch		mm	Inch	mm	Inch
Grid-Lign Straight Bore	1020T - 1200T	186,417	1,650,000	1,952	2,618	6,000	360	13	0.5"	0.3	0.01	9.53	0.38
Grid-Lign S-Series	150 - 480	800,000	7,080,585	8,376	11,234	320	555	21.85	Consult Dodge Engineering for misalignment detail.				

*Listed values represent the range of the entire product line. Ratings listed are the maximum ratings for the largest coupling size. Ratings are dependent upon coupling size. Use appropriate selection methods during sizing or contact Dodge application engineering for assistance.

Metallic, grid style

Dodge® Grid-Lign couplings

System package design

Dodge Grid-Lign couplings are commonly used in conveyor, pump, and fan applications across a variety of industries including mining, aggregate, power generation, oil & gas, steel, and pulp & paper.

The wide breadth and depth of the ABB, Baldor® Electric, and Dodge product lines provide users a single source for all electrical and mechanical power transmission products (i.e. controls, drives, motor, coupling, reducer, bearings, and conveyor pulleys). As seen in Figure 1, ABB or Baldor Electric motors, Dodge couplings, and Dodge reducers can easily be combined into one system package.

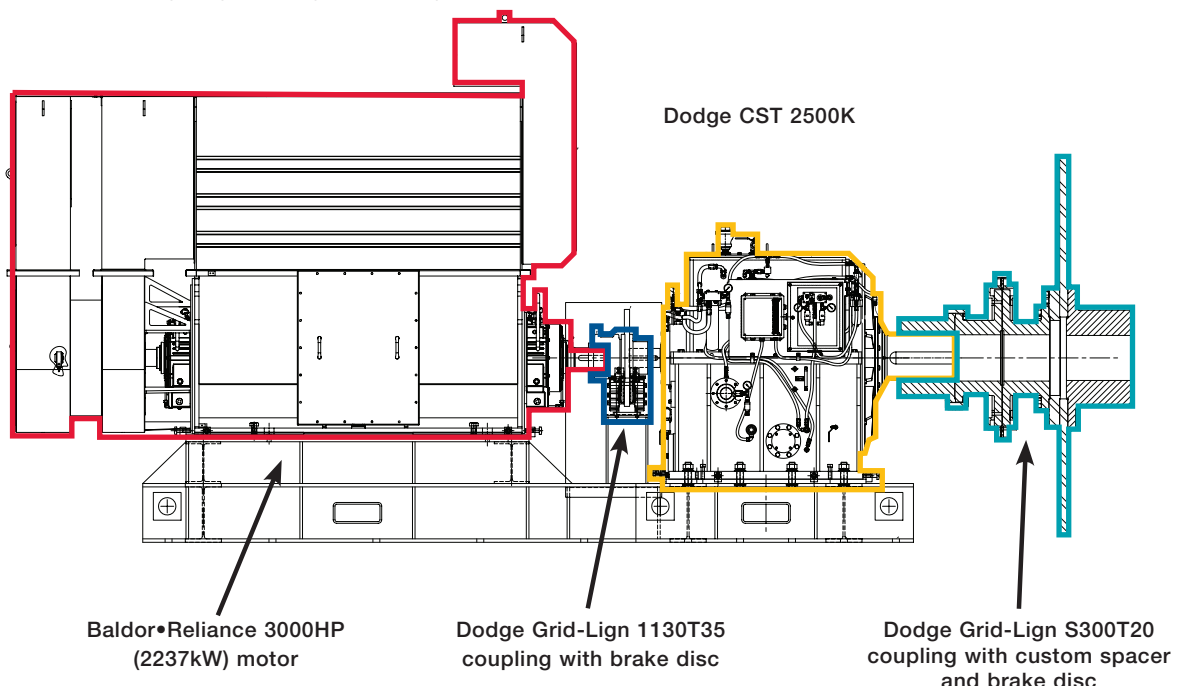
Custom system engineering capabilities

Baldor•Reliance® and Dodge have been designing custom engineered conveyor drive systems for decades. Combining the ABB, Baldor•Reliance, and Dodge product lines into one package allows users to receive a complete, custom designed drive system for bulk material handling applications that include controls, drives, motors, gearing, couplings, bearings, conveyor pulleys, and drive components from a single source. As seen in Figure 2 below, complex packaged drive systems for conveying applications are an absolute core competency of Dodge engineering. Mining, aggregate, power generation, oil & gas, steel, pulp & paper, and general industrial users can all benefit from depending on Dodge as a trusted engineering source for all their design needs.



Figure 1
Dodge Grid-Lign spacer coupling mounted between a Baldor•Reliance motor and a Dodge Magnagear reducer

Figure 2
Baldor•Reliance and Dodge engineered system package



Metallic, gear style

Dodge® Gear couplings

The most power-dense coupling Dodge offers

Engineered for improved operation, the Dodge gear coupling is manufactured with high-quality forged steel for longer service life, and features high torque capability for efficient downsizing.

Excellent torque / speed ratings

Capable of transmitting high torque and high speeds, the Dodge gear coupling is designed with two flanged sleeves that are bolted together. Each sleeve contains internal gear teeth that transmit torque when meshed with each hub's external gear teeth.

Superior sealing system

Machined flanges offer improved sealing and the coupling's reliable O-ring seal design provides an effective barrier against contaminants.

Versatile design

The Dodge gear coupling's versatile, modular system design is half-for-half interchangeable with competitive AGMA gear couplings.

Largest bore capacity in industry

In most sizes, the Dodge gear coupling also offers the largest bore capacity in the industry. It's well suited for reversing applications and can be combined with any Dodge speed reducer to achieve a tailored package for maximum results.

Custom capabilities

The Dodge gear coupling product line has cataloged sizes up to AGMA size 9.0; however, manufacturing capabilities also allow for designs requiring:

- Large sizes up to size 30 (rated at 5.34 million N-m with a 1050 mm bore)
- Shrouded bolt
- Spacer couplings
- Floating shaft designs
- Limited end float (LEF)
- Slide gear
- Shear pin
- Metal labyrinth seal
- Made-to-order (MTO) custom designs



Dodge gear coupling



Dodge spacer gear coupling



Dodge floating shaft gear coupling

Dodge gear coupling metric and imperial ratings*

Coupling style	Size range	Max. torque*		Power per 100 RPM*		Max. speed*	Max. bore		Misalignment capability (angular)	Misalignment capability (parallel)		Misalignment capability (end-float)	
		N-m	In-lbs	kW / 100	HP / 100		mm	Inch		mm	Inch	mm	Inch
Gear (Standard)	1 - 9	206,400	1,827,000	2,161	2,899	6,000 / 9,000**	340	12.5	Size 1 - 5 - 1.5° ang. Misalign. per gear mesh Size 6 - 9 - 0.75° ang. Misalign. per gear mesh				
Gear (Made-To-Order)	8 - 30	5,340,000	47,269,000	55,916	75,000	1,900 / 2,850**	1,050	42		Consult Dodge Engineering for misalignment detail.			

*Listed values represent the range of the entire product line. Ratings listed are the maximum ratings for the largest coupling size. Ratings are dependent upon coupling size. Use appropriate selection methods during sizing or contact Dodge application engineering for assistance.

**Balanced

Metallic, rigid style

Dodge® DM Moment couplings

Highly engineered for rigorous applications

Ideally suited for bulk material handling applications, Dodge DM moment couplings are specifically designed to make the rigid connection between the output shaft of the gearbox and driven equipment. Highly engineered to meet the most rigorous application requirements, these couplings are capable of handling both the required application torque and the bending moment forces of the suspended weight of the drive package.

High strength, high reliability

Utilizing high-strength 4140 alloy steel and ISO grade 10.9 bolts, this robust design offers unparalleled strength. When there's no room to compromise on safety, Dodge DM moment couplings are the reliable solution.

A cost saving option

DM moment couplings enable large gear boxes to become alignment-free drives, allowing customers to save money by eliminating the time consuming process of aligning a gearbox assembly to the head pulley shaft. These couplings also eliminate the expense associated with the additional structural fabrication required for base-mounted drives.



Dodge DM Moment coupling



The Dodge DM moment coupling is specifically designed to make the rigid connection between the output shaft of the gearbox and driven equipment.



Moment couplings require tight tolerances and precision machining. To guarantee performance, every Dodge DM moment coupling is checked for 100% accuracy using a coordinate measurement machine (CMM).

Dodge moment coupling metric and imperial ratings*

Coupling style	Size range	Max. torque*		Power per 100 RPM*		Max. bore	
		N-m	In-lbs	kW / 100	HP / 100	mm	Inch
Moment	DM50 - DM3500	419,692	3,714,583	4,396	5,894	465	18

*Listed values represent the range of the entire product line. Ratings listed are the maximum ratings for the largest coupling size. Ratings are dependent upon coupling size. Consult Dodge applications engineering for selection assistance.

Coupling selection method

Selection by kW / 100 method

Step 1: Obtain required factor from Service Factor Tables

Step 2: Determine the application kW per 100 RPM:

$$\text{kW per 100 RPM} = \frac{\text{Motor kW} \times 100 \times \text{Service Factor}}{\text{Coupling RPM}}$$

Step 3: From Rating Tables, find a rating equal to or greater than the kW / 100 RPM

Note coupling size from left hand column.

Step 4: Check maximum RPM capability.

Step 5: Check maximum bore capacity. If maximum bore is exceeded, move to larger size with adequate bore, but be sure maximum RPM of coupling is not exceeded.

Selection by torque method

Step 1: Obtain required factor from Service Factor Tables

Step 2: Determine the application Torque (N-m):

$$\text{Torque (N-M)} = \frac{\text{Motor kW} \times 9550 \times \text{Service Factor}}{\text{Coupling RPM}}$$

Step 3: From Rating Tables, find a rating equal to or greater than the Calculated torque.

Note coupling size from left hand column.

Step 4: Check maximum RPM capability.

Step 5: Check maximum bore capacity. If maximum bore is exceeded, move to larger size with adequate bore, but be sure maximum RPM of coupling is not exceeded.

Notes:

- (1) If system peak torque is known and is non-reversing, start at step 3. If system peak torque is known and reversing, multiply by 2.0 and start at step 3.
- (2) If spring set motor brake is used, and brake HP is greater than prime mover, use brake HP in place of motor HP.
- (3) For Raptor only: If ambient temperature of the application is above 82°C, a high temperature adjustment must be made to the application service factor. See page 44 for high temperature adjustment factors.

Coupling service factors

Application (Read Footnotes)	StarFlex	Para-Flex® / Raptor	D-Flex	Grid-Lign	Gear
Agitators					
Paddle or Propeller (Vert. or Horiz.)	1.00	1.00	1.25	1.00	1.00
Screw	1.00	1.00	1.25	1.00	1.00
Blowers					
Centrifugal	1.00	1.00	1.25	1.00	1.00
Lobe	1.25	1.50	1.50	1.25	1.25
Vane	1.25	1.00	1.25	1.25	1.25
Brewing & Distilling					
Bottling Machinery, Brew Kettle	1.25	1.00	1.25	1.00	1.00
Cooker (Continuous Duty)	1.25	1.00	1.25	1.00	1.00
Mash Tub	—	1.00	1.25	1.00	1.00
Scale Hopper-Frequent Starting Peaks	—	1.50	◆	1.75	1.75
Can Filling Machine					
	—	1.00	1.25	1.00	1.00
Car Dumper					
	2.50	1.50	2.00	2.50	2.50
Car Puller					
	1.50	1.50	1.50	1.50	1.50
Clarifier					
	—	1.00	1.25	1.00	1.00
Classifier					
	—	1.00	1.25	1.00	1.00
Clay-Working Machines					
Brick Press, Briquette Mach., Clay Working Mach., Pug Mill	—	1.50	1.50	1.50	1.75
	—	—	—	—	—
Compressor**					
Centrifugal. Lobe, Screw	1.00	1.00	1.25	1.00	1.00
Lobe, Rotary	1.25	2.00	2.00	1.25	1.25
Reciprocating 1 Cylinder - Single Acting	—	3.50	◆	3.00	3.00
1 Cylinder - Double Acting	◆	3.00	◆	3.00	3.00
2 Cylinder - Single Acting	◆	3.00	◆	3.00	3.00
2 Cylinder - Double Acting	◆	2.50	◆	3.00	3.00
3 Cl. or More - Single Acting	◆	2.50	◆	3.00	3.00
3 Cl. or More - Double Acting	◆	2.00	◆	2.00	2.00
Conveyors					
Apron, Assembly, Belt, Chain, Flight, Oven	1.20	1.00	1.25	1.00	1.00
Reciprocating	—	2.50	◆	3.00	3.00
Screw	1.20	1.00	1.25	1.00	1.00
Cranes and Hoists					
Main Hoist-Medium Duty	1.50	1.50	1.50	1.75	1.75
Main Hoist-Heavy Duty	2.00	2.00	2.00	2.00	2.00
Skip Hoist, Travel Motion, Trolley	—	1.50	1.00	1.75	1.75
Motion, Slope	—	1.50	1.00	1.75	1.75
Crushers					
Cane	3.50	2.00	2.00	2.00	2.00
Gyratory	3.00	2.50	◆	2.50	2.50
Dredges					
Cable Reel, Screen Drive, Stacker	2.00	1.50	1.50	1.75	1.75
Conveyor	—	1.50	1.50	1.75	1.25
Cutter Head Drive, Jig Drive	2.50	2.50	2.00	2.00	2.00
Pump, Utility Winch	1.50	1.50	1.50	1.75	1.50
Dynamometer					
	1.50	1.00	1.25	1.00	1.00
Elevators					
Bucket, Freight	—	2.00	2.00	1.25	1.25
Exciter					
	—	1.00	1.25	1.00	1.00
Fans					
Centrifugal	1.00	1.00	1.25	1.00	1.00
Cooling Tower	2.00	2.00	2.00	2.00	2.00
Heavy Duty (Forced Draft)	1.50	1.50	2.00	1.50	1.50
Induced Draft	—	1.50	2.00	1.50	1.50
Light	—	1.00	1.25	1.00	1.00
Propeller Indoor	—	1.50	2.00	1.50	1.50

Coupling service factors

Application (Read Footnotes)	StarFlex	Para-Flex® / Raptor	D-Flex	Grid-Lign	Gear
Food Industry					
Beet Slicer	—	1.50	1.50	1.75	1.75
Cereal Cooker	—	1.00	1.25	1.25	1.25
Dough Mixer, Meat Grinder	—	1.50	1.50	1.75	1.75
Generators					
Even Load	—	1.00	1.25	1.00	1.00
Hoist or Railway Service	1.50	1.50	1.50	1.50	1.50
Welder Load	2.00	2.00	2.00	2.00	2.00
Grizzly					
	—	2.00	2.00	2.00	2.00
Kiln					
	1.50	2.00	2.00	2.00	2.00
Laundry Machines					
Tumbler Washer	—	2.00	2.00	2.00	2.00
Line Shafts					
Driving Processing Machinery	—	1.00	1.25	1.50	1.50
Light	—	1.00	1.25	1.50	1.50
Lumber Industry					
Band Resaw	1.50	1.50	1.50	1.50	1.50
Circular Resaw	—	1.50	1.50	1.50	1.75
Edger Head Rig, Hog, Log Haul	2.00	2.00	2.00	2.00	2.00
Planer	2.00	1.50	1.50	1.75	1.75
Rolls Non-Reversing	—	1.50	1.50	1.25	1.25
Rolls Reversing	—	2.00	2.00	2.00	2.00
Sawdust Conveyor	1.25	1.00	1.25	1.25	1.25
Slab Conveyor	—	1.50	1.50	1.75	1.75
Sorting Table	—	1.50	1.50	1.75	1.50
Machine Tools					
Auxiliary	—	1.00	1.25	1.00	1.00
Main Drive	1.50	1.50	1.50	1.75	1.50
Notching Press, Planer (Reversing), Plate Planer,	—	—	—	—	—
Punch Press	2.00	1.50	1.50	1.75	1.75
Traverse	—	1.00	1.25	1.00	1.00
Metal Forming Machines					
Draw Bench, Carriage, Main Drive, Extruder	2.00	—	—	—	—
Wire Drawing, Flattening Machine	2.00	2.00	1.50	2.00	1.75
Mills Rotary Type					
Ball or Pebble direct or on LS Shaft Gear Reducer	2.00	2.50	2.00	2.00	2.00
on HS Shaft Gear Reducer	—	2.50	2.00	2.00	2.00
Dryer and Cooler	—	2.00	1.50	1.50	1.50
Rod or Tube direct or on LS Shaft Gear Reducer	2.00	1.50	1.50	1.75	1.75
on HS Shaft Gear Reducer	—	2.50	2.00	2.00	2.00
on HS Shaft Gear Reducer	—	2.50	2.00	2.00	2.00
Tumbling Barrel	—	2.00	1.50	1.50	1.50
	1.50	1.50	2.00	1.75	1.75
Mixers					
Concrete (Continuous or intermittent)	1.75	1.50	1.50	1.75	1.75
Muller-Simpson type	1.50	1.50	1.50	1.75	1.50
Oil Industry					
Chiller	1.50	1.00	1.25	1.25	1.25
Oil Well Pumping (Not over 150% peak torque)	—	2.00	2.00	2.00	2.00
Paraffin Filter Press	—	1.50	1.50	1.50	1.50

Coupling service factors

Application (Read Footnotes)	StarFlex	Para-Flex®/ Raptor	D-Flex	Grid-Lign	Gear
Paper Mills					
Agitator	1.20	1.00	1.25	2.00	2.00
Barking Drum	2.50	2.50	2.00	2.50	2.50
Beater and Pulper	2.00	1.50	1.50	1.75	1.75
Bleacher	—	1.00	1.25	1.00	1.00
Calender	1.50	2.00	2.00	1.75	1.75
Chipper	—	3.00	2.00	2.50	2.50
Couch Cylinder Dryer	—	1.50	1.50	1.75	1.75
Felt Stretcher	—	1.00	1.25	1.25	1.25
Fourdrinier	—	1.50	1.50	1.75	1.75
Jordan	2.00	2.00	2.00	2.00	2.00
Press	—	2.00	1.50	1.75	1.75
Pulp Grinder	—	2.00	2.00	1.75	1.75
Stock Chest	—	1.50	1.50	1.50	1.50
Stock Pump					
Reciprocating	—	2.00	◆	2.00	2.00
Suction Roll	1.50	2.00	1.50	1.75	1.75
Winder	1.20	1.50	1.50	1.50	1.50
Paraffin Filter Press	—	1.50	1.50	1.50	1.50
Printing Press	1.50	1.50	1.50	1.50	1.50
Propeller Marine	—	1.50	◆	1.50	1.50
Pullers					
Barge Hall	2.00	2.50	2.00	2.00	1.50
Pulverizers					
Hammermill-Light Duty	2.00	1.50	1.50	1.50	1.50
Hammermill-Heavy Duty	2.00	2.00	2.00	1.75	1.75
Hog	—	2.00	2.00	1.75	1.75
Roller	—	1.50	1.50	1.50	1.50
Pumps					
For Stock Pumps See Paper Mills					
Centrifugal	1.00	1.00	1.25	1.00	1.00
Descaling Gear Type	1.25	1.50	1.50	1.25	1.25
Oil Well Pumping (Not over 150% peak torque)	—	2.00	2.00	2.00	2.00
Rotary-other than gear	—	1.50	1.50	1.25	1.25
Reciprocating					
1 Cylinder - Single Acting	2.00	2.50	◆	3.00	3.00
1 Cylinder - Double Acting	2.00	2.00	◆	3.00	3.00
2 Cylinder - Single Acting	2.00	2.00	◆	2.00	2.00
2 Cylinder - Double Acting	1.75	1.50	◆	1.75	1.75
3 Cylinder or More	1.50	1.50	◆	1.50	1.50
Rubber Industry					
Banbury Mixer	2.50	2.50	2.00	2.50	2.50
Calender	2.00	2.00	2.00	2.00	2.00
Cracker Mixing Mill Plasticator	—	2.50	2.00	2.50	2.50
Refiner, Sheeter	—	2.00	2.00	2.50	2.50
Tire-Building Machine	—	2.00	2.00	2.50	2.50
Tire and Tube Press Opener Based on Peak Torque	—	1.00	1.25	1.00	1.00
Tuber and Strainer	—	1.50	1.50	1.75	1.75
Warming Mill	—	2.00	2.00	2.00	2.00
Washer	—	2.50	2.00	2.50	2.50

Coupling service factors

Application (Read Footnotes)	StarFlex	Para-Flex® / Raptor	D-Flex	Grid-Lign	Gear
Screens					
Air Washing	1.00	1.00	1.25	1.00	1.00
Coal and Sand Rotary	1.50	1.50	1.50	1.50	1.50
Vibrating	2.50	2.50	2.00	2.50	2.50
Water	1.00	1.00	1.25	1.00	1.00
Sewage Disposal Equipment	—	1.00	1.25	1.00	1.00
Shoval	—	2.00	2.00	2.00	2.00
Shredder	—	1.50	1.50	1.50	1.50
Steel Industry	—	—	—	—	—
Cold Mills					
Coiler Up or Down	—	1.50	◆	2.00	1.50
Strip, Temper	—	2.00	◆	2.00	2.00
Hot Mills					
Coiler up or down	—	1.50	◆	2.00	1.50
Edger Drive	—	1.50	◆	2.00	1.50
Feed Roll Blooming	—	3.00	◆	2.50	3.00
Roughing Mill Delivery	—	3.00	◆	2.50	2.50
Non-reversing, Sheet Strip	—	3.00	◆	2.50	2.50
Rod Mill	—	2.50	◆	2.50	2.00
Soaking Pit Cover Drive Lift	—	3.00	◆	1.50	1.00
Soaking Pit Cover Drive Travel	—	3.00	◆	1.50	2.00
Rollout Table (Non-Reversing)	—	2.00	2.00	2.00	2.00
Rollout Table (Reversing)	—	3.50	3.50	3.00	2.50
Steering Gear	—	1.00	1.25	1.00	1.00
Stoker	—	1.25	1.00	1.00	1.00
Textile Mills					
Batcher	—	1.00	1.25	1.25	1.25
“Calender, Card Machine, D Can”	1.75	1.50	1.50	1.50	1.50
Dyeing Machine	—	1.00	1.25	1.25	1.25
Loom	1.50	1.50	1.50	1.50	1.50
Mangel, Napper, Soaper	1.20	1.00	1.25	1.25	1.25
Spinner, Tenter Frame	1.50	1.50	1.50	1.50	1.50
Windlass	2.00	1.50	1.50	1.50	1.50
Woodworking Machines	1.00	1.00	1.25	1.00	1.00

System service factor calculation

To determine the system service factor, the driver service factor adder (Table 1A) must be added to the driven service factor. (Table 1) Example: Determine the system service factor for a Para-Flex coupling used to couple a barking drum and a six-cylinder diesel engine.

$$\text{Driven S.F.} + \text{Driver S.F. Adder} = \text{System S.F.}$$

$$2.5 + .5 = 3.0$$

△ The service factors listed are intended only as a general guide. Where substantial shock occurs or starting and stopping is frequent as on some “inching” drives and on some reversing drives or where the power source is an internal combustion engine with less than four cylinders-consult Dodge®. Where torsional vibrations occur as in, for example, internal combustion engine or reciprocating compressor or pump applications, check the coupling stiffness for the possible development of damaging large amplitude vibrations. A complete system torsional analysis may be necessary.

** Add 0.5 to factor if without flywheel

◆ Consult Dodge for selection assistance

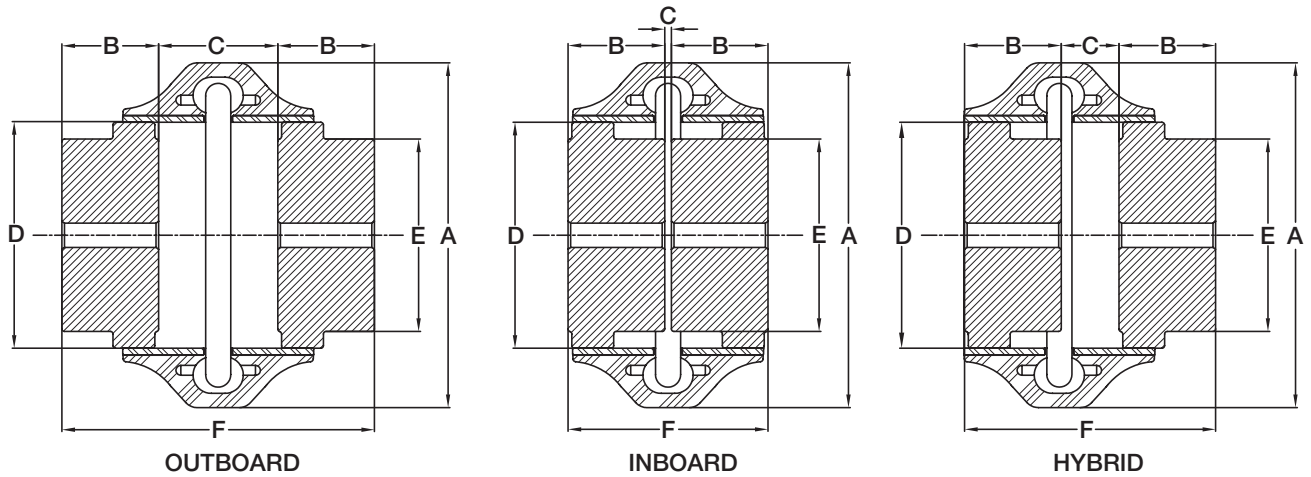
Table 1A-Driver service factor adders

Coupling type	Electric motor std. torque	High torque motors	Turbines	Reciprocating engine number of cylinders				
				12 or more	8 to 11	6 to 7	4 to 5	Less than 4
Para-Flex / Raptor	0	0	0	0	0.5	0.5	0.5	◆
Metallic	0	0	0	0	0.5	0.5	1	◆
D-Flex	0	If SF < 1.25 add 0.25 If SF > 1.25 add 0.5	If SF < 1.5 subtract 0.25 If SF > 1.5 subtract 0.5	If SF < 1.25 add 0.25 If SF > 1.25 add 0.5				◆

Note: Selection program “Couple” available on www.ptwizard.com

Ratings/dimensions

Dodge® Raptor Close-Coupled - Finished Bore couplings



Coupling size	Min. bore	Max. bore	kW / 100	Max. torque (Nm)	Max. RPM	A	C			D	E	F			Mass ⁽¹⁾ (Kgs.)	
							Outboard	Inboard	Hybrid			Outboard	Inboard	Hybrid		
E2M	—	28	0.23	22	7,500	89	24	48	34	41	47	42	96	82	89	0.6
E3M	—	34	0.44	42	7,500	102	38	34	20	27	59	51	110	96	103	1.1
E4M	—	42	0.66	63	7,500	116	43	34	11	22	66	60	119	96	108	1.5
E5M	—	48	1.10	105	7,500	137	44	47	20	33	80	71	136	109	122	2.5
E10M	—	55	1.73	165	7,500	162	48	47	13	30	93	84	142	109	125	3.4
E20M	19	60	2.73	261	6,600	184	52	62	11	37	114	102	167	115	141	5.7
E30M	19	75	4.32	413	5,800	210	59	65	11	38	138	117	182	129	155	8.9
E40M	19	85	6.51	622	5,000	241	64	72	11	41	168	146	199	138	168	15.2
E50M	28	90	9.06	865	4,200	279	70	88	13	51	207	156	228	153	191	23.1
E60M	28	105	14.8	1,413	3,800	318	83	92	12	52	222	165	257	178	217	32.4
E70M	35	120	26.2	2,501	3,600	356	92	102	13	57	235	178	285	197	241	37.2
E80M	40	155	46.7	4,463	2,000	406	124	149	—	73	286	241	396	—	321	76.8
E100M	63	171	101	9,613	1,900	533	140	96	45	77	359	267	375	324	356	114.6
E120M	75	190	201	19,226	1,800	635	152	124	57	91	448	299	429	362	396	190.2
E140M	85	229	402	38,453	1,500	762	178	128	77	102	530	381	483	432	458	269.2

(1) Weight of complete coupling at maximum bore.

(2) All dimensions in millimeters.

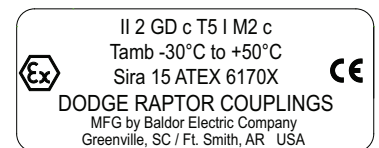
Complete close-coupled Raptor finished bore coupling consists of: one close-coupled element and two finished bore hubs

Close-coupled metric element assemblies

Size	Standard (natural rubber)	Armored elements	Replacement hardware
E2M	015973	017141	017008
E3M	015974	017142	
E4M	015975	017143	017009
E5M	015976	017144	
E10M	015977	017145	017181
E20M	015978	017146	
E30M	015979	017147	017010
E40M	015980	017148	
E50M	015981	017149	017011
E60M	015982	017150	
E70M	015983	017151	017012
E80M	015984	017152	
E100M	015985	017153	017013
E120M	015986	017154	017014
E140M	015987	017155	017015

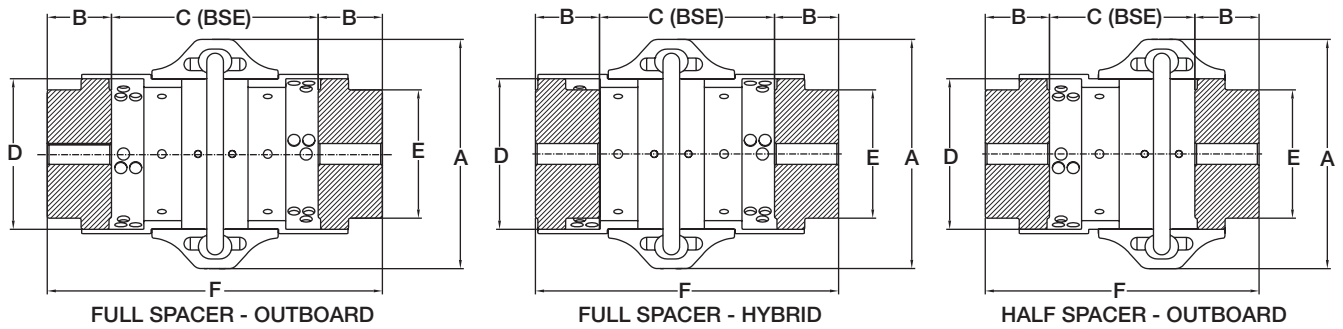
(1) Element assemblies include metric hardware

(2) Raptor elements are also available with imperial hardware. This requires use of shaft hubs tapped for imperial hardware. Reference the North American brochure (BR4062) or contact ABB for more information.



Ratings/dimensions

Dodge® Raptor Spacer - Finished Bore couplings



Coupling size	Min. bore	Max. bore standard key	kW / 100	Max. torque (Nm)	Max. RPM	A	B	C		D	E	F		Mass ⁽¹⁾ (Kgs.)
								Min. (in)	Max. (in)			Min.	Max.	
ES2M	—	28	0.23	22	7,500	89	24	64	100	47	42	112	148	0.8
ES3M	—	34	0.44	42	7,500	102	38	54	140	59	51	141	216	1.7
ES4M	—	42	0.66	63	7,500	116	43	50	140	66	60	141	225	2.3
ES5M	—	48	1.10	105	7,500	137	44	54	140	80	71	147	229	3.5
ES10M	—	55	1.73	165	7,500	162	48	51	140	93	84	147	235	4.7
ES20M	19	60	2.73	261	6,600	184	52	69	185	114	102	175	290	7.9
ES30M	19	75	4.32	413	5,800	210	59	62	189	138	117	181	307	12.2
ES40M	19	85	6.51	622	5,000	241	64	70	192	168	146	197	319	19.8
ES50M	28	90	9.06	865	4,200	279	70	83	221	207	156	223	361	29
ES60M	28	105	14.8	1,413	3,800	318	83	87	269	222	165	252	434	43
ES70M	35	120	26.2	2,501	3,600	356	92	96	274	235	178	279	458	48.2
ES80M	40	155	46.7	4,463	2,000	406	124	130	401	286	241	379	649	94.1

- (1) Weight of complete coupling at maximum bore with four spacer extensions.
 (2) All dimensions in millimeters unless otherwise noted.

Complete Raptor finished bore spacer coupling consists of: one spacer element and two finished bore hubs

Finished bore spacer lengths

Size	Standard (natural rubber) element		Armored element		ANSI (inch)				ISO & DIN (mm)			
	Full spacers	Half spacers	Full spacers	Half spacers	3.5	5	7	10	100	140	180	250
ES2M	017076	017194	017168	017230	■				■			
ES3M	017077	017195	017169	017231	■	■			■	■		
ES4M	017078	017196	017170	017232	■	■			■	■		
ES5M	017079	017197	017171	017233	■	■			■	■		
ES10M	017080	017198	017172	017234	■	■			■	■		
ES20M	017081	017199	017173	017235	■	■	■		■	■	■	
ES30M	017082	017200	017174	017236	■	■	■		■	■	■	
ES40M	017083	017201	017175	017237		■	■		■	■	■	
ES50M	017084	017202	017176	017238		■	■		■	■	■	
ES60M	017085	017203	017177	017239		■	■	■	■	■	■	■
ES70M	017086	017204	017178	017240			■	■	■	■	■	■
ES80M	017087	017205	017179	017241			■	■	■	■	■	■

- (1) Element assemblies include metric hardware
 (2) Table shows actual spacer lengths relative to standard ANSI and ISO spacer lengths
 (3) All calculations based off of outboard hubs

■	Full Spacer Standard Method
■	Full Spacer Hybrid Method
■	Half Spacer Standard Method
■	Half Spacer Hybrid Method

Part numbers

Dodge® Raptor couplings

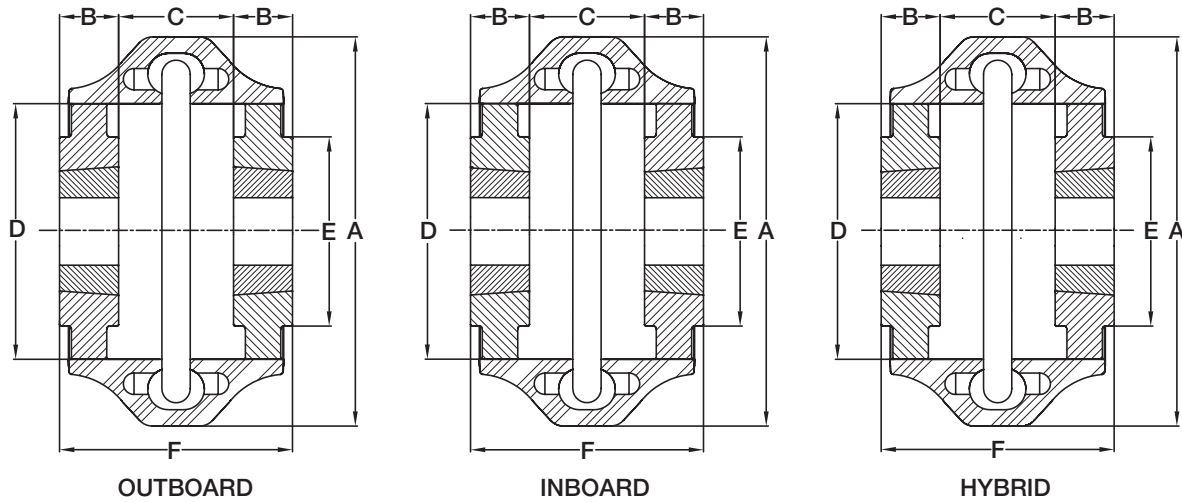
Raptor couplings

Bore (in)	Coupling size / part number														
	2HCBM	3HCBM	4HCBM	5HCBM	10HCBM	20HCBM	30HCBM	40HCBM	50HCBM	60HCBM	70HCBM	80HCBM	100HCBM	120HCBM	140HCBM
Reborable	015249	015250	015251	015252	015253	015254	015255	015256	015257	015258	015259	015260	015261	015262	015263
11	016850	016861	016875	016892	016912	—	—	—	—	—	—	—	—	—	—
12	016851	016862	016876	016894	016913	—	—	—	—	—	—	—	—	—	—
14	016852	016863	016877	016895	016914	—	—	—	—	—	—	—	—	—	—
16	016853	016864	016878	016896	016915	—	—	—	—	—	—	—	—	—	—
17	016854	016865	016879	016897	016916	—	—	—	—	—	—	—	—	—	—
18	016855	016866	016880	016898	016917	—	—	—	—	—	—	—	—	—	—
19	016856	016867	016881	016899	016918	016934	016952	016974	—	—	—	—	—	—	—
20	016857	016868	016882	016900	016919	016935	016953	016975	—	—	—	—	—	—	—
22	016858	016869	016883	016901	016920	016936	016954	016976	—	—	—	—	—	—	—
24	016859	016870	016884	016902	016921	016937	016955	016977	—	—	—	—	—	—	—
25	016860	016871	016885	016903	016922	016938	016956	016978	—	—	—	—	—	—	—
28	—	016872	016886	016904	016923	016939	016957	016979	019820	019841	—	—	—	—	—
30	—	016873	016887	016905	016924	016940	016958	016980	019821	019842	—	—	—	—	—
32	—	016874	016888	016906	016925	016941	016959	016981	019822	019843	—	—	—	—	—
35	—	—	016889	016907	016927	016942	016960	016982	019823	019844	019864	—	—	—	—
38	—	—	016890	016908	016928	016943	016961	016983	019824	019845	019865	—	—	—	—
40	—	—	016891	016909	016929	016944	016962	016984	019825	019846	019866	019886	—	—	—
42	—	—	—	016910	016930	016945	016963	016985	019826	019847	019867	019887	—	—	—
45	—	—	—	016911	016931	016946	016964	016986	019827	019848	019868	019888	—	—	—
48	—	—	—	—	016932	016947	016965	016987	019828	019849	019869	019889	—	—	—
50	—	—	—	—	016933	016948	016966	016988	019829	019850	019870	019890	—	—	—
55	—	—	—	—	—	016949	016967	016989	019830	019851	019871	019891	—	—	—
56	—	—	—	—	—	016950	016968	016990	019831	019852	019872	019892	—	—	—
60	—	—	—	—	—	016951	016969	016991	019832	019853	019873	019893	—	—	—
63	—	—	—	—	—	—	016970	016992	019833	019854	019874	019894	019911	—	—
65	—	—	—	—	—	—	016971	016993	019834	019855	019875	019895	019912	—	—
70	—	—	—	—	—	—	016972	016994	019835	019856	019876	019896	019913	—	—
71	—	—	—	—	—	—	016973	016995	019836	019857	019877	019897	019914	—	—
75	—	—	—	—	—	—	—	016996	019837	019858	019878	019898	019915	019931	—
80	—	—	—	—	—	—	—	016997	019838	019859	019879	019899	019916	019932	—
85	—	—	—	—	—	—	—	016998	019839	019860	019880	019900	019917	019933	019948
90	—	—	—	—	—	—	—	—	019840	019861	019881	019901	019918	019934	019949
95	—	—	—	—	—	—	—	—	019862	019882	019902	019919	019935	019950	—
100	—	—	—	—	—	—	—	—	019863	019883	019903	019920	019936	019951	—
105	—	—	—	—	—	—	—	—	—	019884	019904	019921	019937	019952	—
110	—	—	—	—	—	—	—	—	—	019885	019905	019922	019938	019953	—
120	—	—	—	—	—	—	—	—	—	019906	019923	019939	019954	—	—
125	—	—	—	—	—	—	—	—	—	019907	019924	019940	019955	—	—
130	—	—	—	—	—	—	—	—	—	019908	019925	019941	019956	—	—
140	—	—	—	—	—	—	—	—	—	019909	019926	019942	019957	—	—
150	—	—	—	—	—	—	—	—	—	019910	019927	019943	019958	—	—
160	—	—	—	—	—	—	—	—	—	—	019928	019944	019959	—	—
170	—	—	—	—	—	—	—	—	—	—	019929	019945	019960	—	—
180	—	—	—	—	—	—	—	—	—	—	019930	019946	019961	—	—
190	—	—	—	—	—	—	—	—	—	—	—	019947	019962	—	—
200	—	—	—	—	—	—	—	—	—	—	—	—	019963	—	—
210	—	—	—	—	—	—	—	—	—	—	—	—	—	019964	—
220	—	—	—	—	—	—	—	—	—	—	—	—	—	—	019965

Unless otherwise specified, sizes E2-E60 are transitional fit with two setscrews and standard keyway, and sizes E70-E140 are interference fit with standard keyway. All fits are per ISO R775. See page 51 for additional details.

Ratings/dimensions

Dodge® Raptor Closed-Coupled - Taper-Lock® Bushed couplings



Coupling size	Bushing size	Max. bore ⁽¹⁾	kW / 100	Max. torque (Nm)	Max. RPM	A	B	C			D	E	F			Mass ⁽³⁾ (Kgs.)
								Outboard	Inboard	Hybrid			Outboard	Inboard	Hybrid	
E3M	1008	25	0.44	42	7,500	102	22	43	43	43	59	51	87	87	87	1
E4M	1008	25	0.66	63	7,500	116	22	43	43	43	66	57	87	87	87	1.3
E5M	1210	32	1.10	105	7,500	137	22	55	56	56	80	71	100	100	100	2.2
E10M	1610	35	1.73	165	7,500	162	25	52	52	52	93	84	103	103	103	2.9
E20M	1610	42	2.73	261	6,600	184	25	64	64	64	114	89	114	114	114	4.2
E30M	2012	50	4.32	413	5,800	210	32	65	65	65	138	102	129	129	129	6.7
E40M	2517	65	6.51	622	5,000	241	44	60	60	60	168	118	149	149	149	10.8
E50M	2517	65	9.06	865	4,200	279	44	76	76	76	207	125	165	165	165	15.9
E60M	3020	80	14.8	1,413	3,800	318	51	84	84	84	222	146	186	186	186	24.3
E70M	3535	95	26.2	2,501	3,600	356	89	60	60	60	235	165	238	238	238	35.2
E80M	4040	105	46.7	4,463	2,000	406	102	95	95	95	286	197	298	298	298	58.5
E100M	4535	125	101	9,613	1,900	533	89	89	153	121	359	267	267	331	299	115.2
E120M	5040	127	149	14,236 ⁽²⁾	1,800	635	102	108	175	142	448	299	311	378	345	194.1
E140M	7060	180	402	38,453	1,500	762	152	77	178	128	530	381	382	483	432	323.4

- (1) All maximum bore dimensions are based off of shallow keys
 (2) Maximum torque is limited by maximum bushing rated torque
 (3) Space required to install bushing with shortened hex key

- (4) Space required to remove bushing with shortened hex key
 (5) Weight of complete coupling including the bushing at maximum bore
 (6) All dimensions in millimeters

Complete close-coupled Raptor Taper-Lock coupling consists of: one close-coupled element, two Taper-Lock hubs, and two Taper-Lock bushings

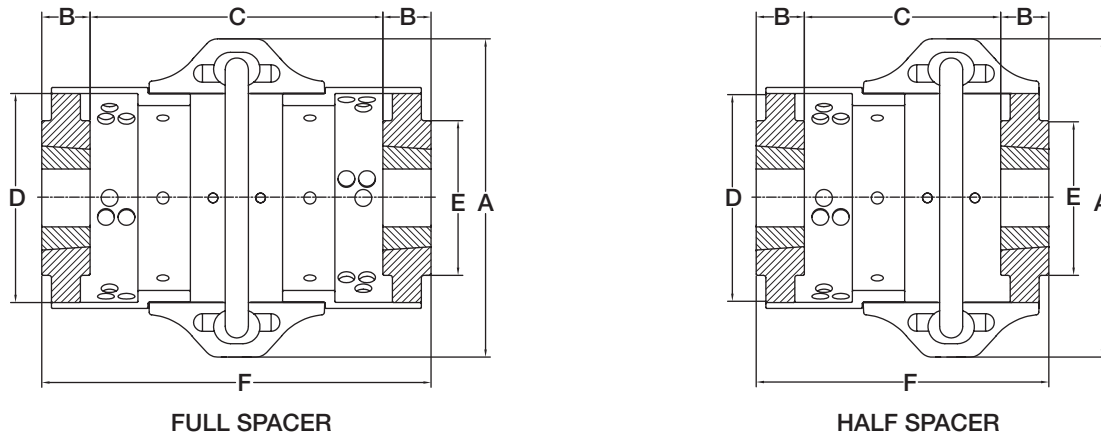
Taper-Lock bushed part numbers

Coupling size	TL hub	Bushing size	Standard (natural rubber) element	Armored elements	Replacement hardware
3HTLM	015207	1008	015974	017142	
4HTLM	015208	1008	015975	017143	017009
5HTLM	015209	1210	015976	017144	
10HTLM	015210	1610	015977	017145	017181
20HTLM	015211	1610	015978	017146	
30HTLM	015212	2012	015979	017147	
40HTLM	015213	2517	015980	017148	
50HTLM	015214	2517	015981	017149	017011
60HTLM	015215	3020	015982	017150	
70HTLM	015216	3535	015983	017151	017012
80HTLM	015217	4040	015984	017152	
100HTLM	015218	4535	015985	017153	017013
120HTLM	015219	5040	015986	017154	017014
140HTLM	015220	7060	015987	017155	017015

- (1) Element assemblies include metric hardware
 (2) Raptor elements are also available with imperial hardware. This requires use of shaft hubs tapped for imperial hardware. Contact ABB for more information.
 (3) For Taper-Lock bushings, see table on pages 30-31.

Ratings/dimensions

Dodge® Raptor Spacer - Taper-Lock® Bushed couplings



Coupling size	Bushing size	Max. bore standard key	kW / 100	Max. torque (Nm)	Max. RPM	A	B	C		D	E	F		Mass ⁽¹⁾ (Kgs.)
								Min. (in)	Max. (in)			Min.	Max.	
ES3M	1008	25	0.44	42	7,500	102	22	64	162	59	51	119	207	1.6
ES4M	1008	25	0.66	63	7,500	116	22	59	171	66	60	109	216	2.1
E5M	1210	32	1.10	105	7,500	137	22	64	175	80	71	113	220	3.3
E10M	1610	35	1.73	165	7,500	162	25	57	178	93	84	108	229	4.2
ES20M	1610	42	2.73	261	6,600	184	25	72	236	114	102	124	287	6.3
ES30M	2012	50	4.32	413	5,800	210	32	65	240	138	117	130	303	9.9
ES40M	2517	65	6.51	622	5,000	241	44	62	238	168	146	151	327	15.4
ES50M	2517	65	9.06	865	4,200	279	44	73	282	207	156	162	371	21.9
ES60M	3020	80	14.8	1,413	3,800	318	51	84	336	222	165	185	437	35
ES70M	3535	95	26.2	2,501	3,600	356	89	61	316	235	178	238	493	46.3
ES80M	4040	105	46.7	4,463	2,000	406	102	98	478	286	241	303	680	75.7

- (1) Weight of complete coupling at maximum bore with four spacer extensions and bushings at maximum bore.
 (2) All dimensions in millimeters.

Complete Raptor Taper-Lock spacer coupling consists of: one spacer element, two Taper-Lock hubs, and two Taper-Lock bushings

Taper-Lock bushed spacer lengths

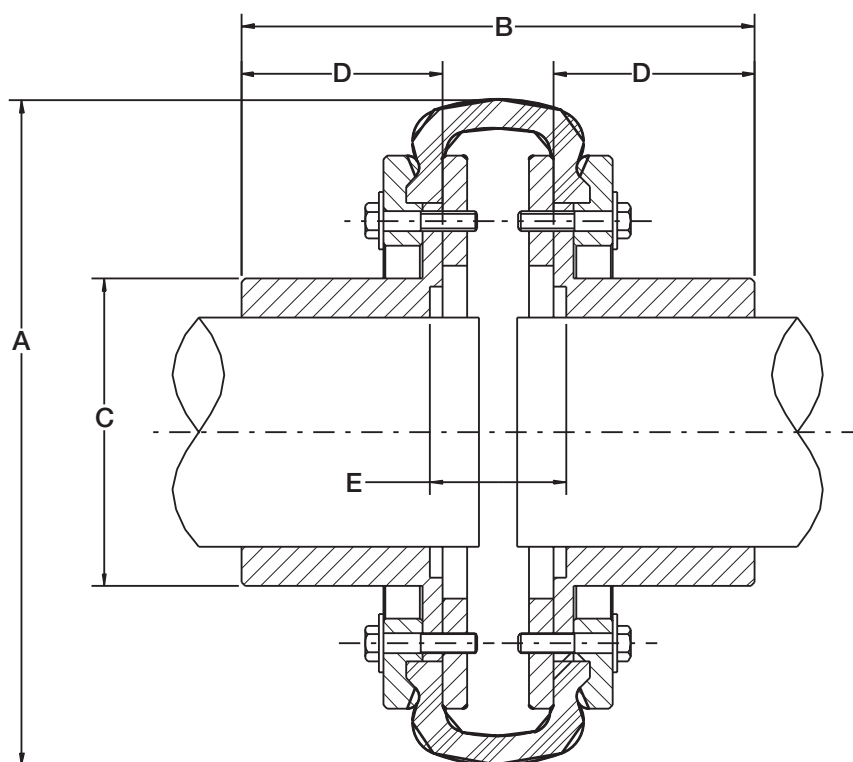
Size	Standard (natural rubber) element part numbers		Armored element part numbers		ANSI (inch)				ISO & DIN (mm)			
	Full spacers	Half spacers	Full spacers	Half spacers	3.5	5	7	10	100	140	180	250
ES3M	017077	017195	017169	017231	3.3	4.8			96	136		
ES4M	017078	017196	017170	017232	3.3	4.8			96	136		
ES5M	017079	017197	017171	017233	3.3	4.8			96	136		
ES10M	017080	017198	017172	017234	3.3	4.8			96	136		
ES20M	017081	017199	017173	017235	3.5	5.0	7.0		99	139	179	
ES30M	017082	017200	017174	017236	3.5	5.0	7.0		100	140	180	
ES40M	017083	017201	017175	017237		5.2	7.2		106	146	186	
ES50M	017084	017202	017176	017238		5.2	7.2		106	146	186	
ES60M	017085	017203	017177	017239		5.2	7.2	10.2		144	184	254
ES70M	017086	017204	017178	017240			7.8	10.8			201	271
ES80M	017087	017205	017179	017241			8.1	11.1			207	277

- (1) Element assemblies include metric hardware
 (2) Table shows actual spacer lengths relative to standard ANSI and ISO spacer lengths
 (3) Taper-Lock spacer couplings use shaft hubs shown on page 24
 (4) For Taper-Lock bushings, see table on pages 30-31

 Full Spacers
 Half Spacers

Ratings/dimensions

Dodge® Para-Flex® bore to size, BBS couplings



Bore to size, BBS couplings*

Coupling size	Min. bore (mm)	Max. bore (mm)	kW / 100	Torque (N-m)	Max. RPM	A (mm)	B (mm)	C (mm)	D (mm)	E (mm)	Mass ⁽¹⁾ (Kg)	Inertia ⁽²⁾ (Kg-m ²)
PX60BBS	0	40	2.13	203	4,000	165	109	60	38	33	3.99	0.009
PX70BBS	0	56	2.6	249	3,600	187	127	75	44	38	5.81	0.01
PX80BBS	0	70	4.27	407	3,100	213	140	94	51	38	8.35	0.03
PX90BBS	0	75	5.33	509	2,800	235	153	105	57	39	11.61	0.06
PX100BBS	0	88	6.4	610	2,600	254	177	125	67	44	16.51	0.11
PX110BBS	0	110	9.17	876	2,300	279	192	138	76	40	21.45	0.18
PX120BBS	0	110	14.91	1,424	2,100	314	210	148	83	44	31.03	0.3
PX140BBS	58	122	32.81	3,117	1,840	359	249	178	99	62	57.7	0.69
PX160BBS	64	167	44.74	4,271	1,560	422	329	216	130	78	95.62	1.67
PX200BBS	73	183	97.69	9,321	1,300	508	395	238	156	95	152.18	3.24
PX240BBS	102	201	178.97	17,083	1,080	613	360	254	130	110	218.18	7.92
PX280BBS	113	237	357.94	34,144	910	724	469	305	181	118	363.78	18.56
PX320BBS	138	285	536.16	51,182	810	826	527	356	207	125	487.16	29.87

* Includes imperial hardware

(1) Weight of complete coupling at maximum bore

(2) Inertia of complete coupling at maximum bore

Ratings/dimensions

Dodge® Para-Flex® bore to size, BBS couplings

Complete Para-Flex coupling consists of: one element and two flange assemblies



Para-Flex BBS (bore to size, steel flange) assemblies

Coupling size	BS flange assembly rough bore
PX60BBS	010300
PX70BBS	010301
PX80BBS	010302
PX90BBS	010303
PX100BBS	010304
PX110BBS	010305
PX120BBS	010306
PX140BBS	010530
PX160BBS	010531
PX200BBS	010532
PX240BBS	010533
PX280BBS	010528
PX320BBS	010529

Unless otherwise specified, when bored to size, the PX60 through PX120 BBS sizes are furnished with transitional fit, standard keyway and two setscrews. PX140 and larger sizes are furnished as interference fit with standard keyway and no setscrew. Fits are per ISO R775, see page 51 for additional details.

Para-Flex natural rubber elements

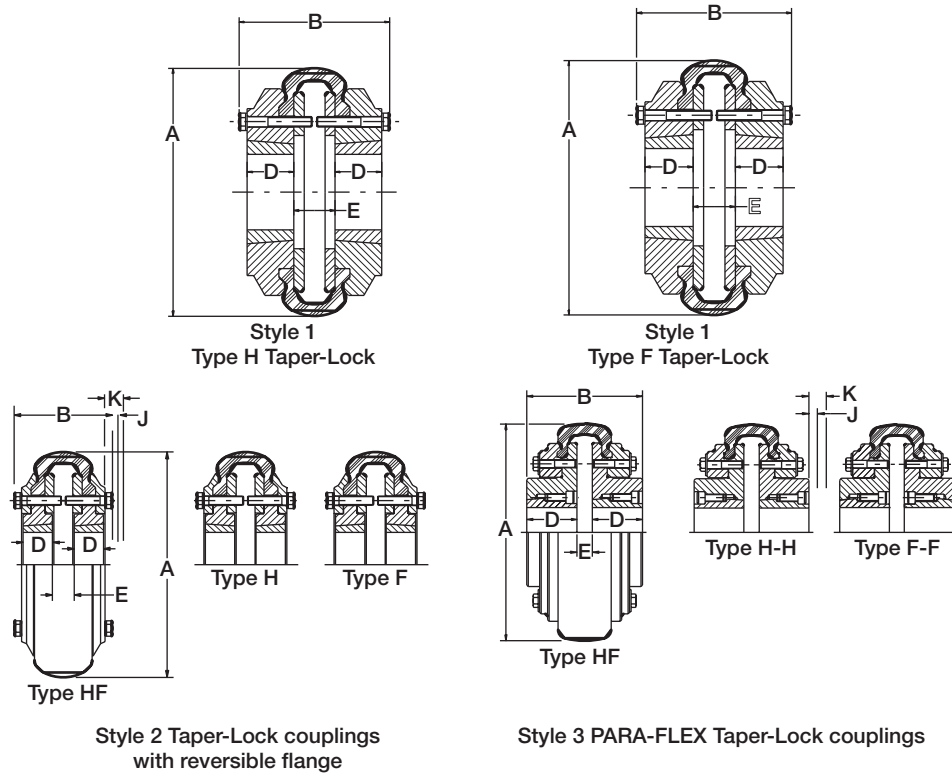
Coupling size	Part number
PX50	011105
PX60	011106
PX70	011107
PX80	011108
PX90	011109
PX100	011110
PX110	011111
PX120	011112
PX140	011114
PX160	011117
PX200	011120
PX240	011124
PX280	011457
PX320	011463

II 2 GD T5 I M2		
	Tamb -30°C to +50°C Sira 04 ATEX 9358 DODGE COUPLINGS	
MFG by Baldor Electric Company Ft. Smith, AR USA		



Ratings/dimensions

Dodge® Para-Flex® Taper-Lock® couplings



Taper-Lock couplings*

Coupling flange assy.	Element size	Min. bore	Max. bore	TL bushing*	kW / 100	Torque (N-m)	Max. RPM	Style	A (mm)	B † (mm)	D (mm)	E † (mm)	J ⁽¹⁾ (mm)	K ⁽²⁾ (mm)	Mass ^(3 †) (Kg)	Inertia ^(4 †) (Kg-m ²)
PXM40TL	40	13	25	1008	0.51	48	4,500	1	108	76	22	20	16	19	1.9	0.002
PXM50TL	50	13	32	1210	1.07	102	4,500	1	133	76	25	25	21	28	2.3	0.003
PXM60TL	60	13	42	1610	2.13	203	4,000	1	165	100	25	33	21	28	4.4	0.009
PXM70TL	70†	13	42	1610	2.6	248	3,600	2	187	90	25	24	21	28	5.9	0.01
PXM70TLX-F	70†	13	50	2012	2.6	248	3,600	3	187	97	32	24	24	35	6.7	0.01
PXM80TL	80†	13	50	2012	4.27	407	3,100	2	213	95	32	20	24	35	8.9	0.03
PXM80TLX-F	80†	13	65	2517	4.27	407	3,100	3	213	101	44	20	25	41	11.2	0.04
PXM90TL	90	13	65	2517	5.33	509	2,800	2	235	102	44	8	25	41	13.1	0.06
PXM100TL	100†	13	65	2517	6.4	610	2,600	2	254	107	44	13	25	41	17.2	0.09
PXM100TLX-F	100†	24	80	3020	6.4	610	2,600	3	254	111	51	13	30	52	19.3	0.1
PXM110TL	110†	13	65	2517	9.18	875	2,300	2	279	115	44	12	25	41	23.6	0.16
PXM110TLX-H	110†	24	80	3020	9.18	875	2,300	3	279	121	51	12	30	52	26	0.17
PXM110TLX-F	110†	24	80	3020	9.18	875	2,300	3	279	121	51	12	30	52	26	0.17
PXM120TL	120†	24	80	3020	14.92	1,424	2,100	2	314	128	51	11	30	52	33.7	0.28
PXM120TLX-F	120†	31	100	3525	14.92	1,424	2,100	3	314	138	64	11	33	68	40	0.31
PXM140TL	140	31	95 / 100•	3535	32.82	3,116	1,840	3	359	198	89	21	33	68	70.8	0.79
PXM160TL	160	37	105 / 115•	4040	44.76	4,270	1,560	3	422	233	102	30	41	86	110.2	1.42
PXM200TL	200	50	115 / 125•	4545	97.73	9,318	1,300	3	508	262	114	33	49	103	189.1	4.26
PXM240TL	240	61	127	5050	179.04	17,078	1,080	3	613	303	127	49	59	122	309.4	9.73

(1) Space required to tighten bushing with shortened hex key

(2) Space required to loosen bushing with shortened hex key

(3) Weight of complete coupling with bushing

(4) Inertia of complete coupling with bushing

* Metric hardware

• Requires short series bushings to achieve maximum bore.

† Flange assemblies may be combined or interchanged for a given element size. Upon combination, dimensions B & E as well as mass and inertia should be averaged for appropriate value.

H = Hub mount

F = Flange mount

Part numbers

Dodge® Para-Flex® Taper-Lock® couplings

Complete Para-Flex coupling consists of: one element, two PXMTL flange assemblies and two TL bushings

Para-Flex Taper-Lock flange assemblies

Coupling size	Type H	Type F	
	Part number	Part number	Taper-Lock bushing size
PXM40TL	013095	013096	1008
PXM50TL	013041	013040	1210
PXM60TL	013043	013042	1610
PXM70TL	013044	*	1610
PXM70TLX-F	—	395277	2012
PXM80TL	013045	*	2012
PXM80TLX-F	—	395278	2517
PXM90TL	013046	*	2517
PXM100TL	013047	*	2517
PXM100TLX-F	—	395279	3020
PXM110TL	013048	*	2517
PXM110TLX-H	395281	—	3020
PXM110TLX-F	—	395280	3020
PXM120TL	013049	*	3020
PXM120TLX-F	—	395282	3525
PXM140TL	013051	013050	3535 / 3525•
PXM160TL	013053	013052	4040 / 4030 •
PXM200TL	013055	013054	4545 / 4535 •
PXM240TL	395286	395285	5050

* Have reversible flange for type H or F mount.

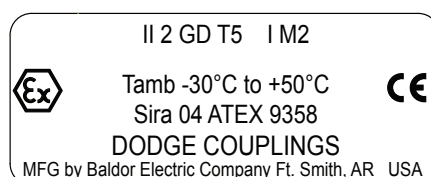
• Requires short series bushing to achieve maximum bore.

Dodge Taper-Lock bushing required

For Taper-Lock designs, Taper-Lock bushings must be ordered separately.

Para-Flex natural rubber elements

Coupling size	Part number
PX40	011529
PX50	011105
PX60	011106
PX70	011107
PX80	011108
PX90	011109
PX100	011110
PX110	011111
PX120	011112
PX140	011114
PX160	011117
PX200	011120
PX240	011124



Part numbers

Dodge® Taper-Lock® bushings

Taper-Lock bushings

Bushing size	Bore (mm)	Part number	Description	Mass (Kg)
1008	RSB*	115472	1008 X 12.7MM-NK BUSHING	0.12
	14	119565	1008 X 14MM-KW BUSHING	0.14
	15	100004	1008 X 15MM-KW BUSHING	0.14
	16	119566	1008 X 16MM-KW BUSHING	0.14
	18	119575	1008 X 18MM-KW BUSHING	0.14
	19	119569	1008 X 19MM-KW BUSHING	0.14
	20	119576	1008 X 20MM-KW BUSHING	0.09
	22	119577	1008 X 22MM-KW BUSHING	0.09
	24	119567	1008 X 24MM-KW BUSHING	0.09
	25	119578	1008 X 25MM-KW BUSHING	0.09
1108	RSB*	115473	1108 X 12.7MM-NK BUSHING	0.15
	14	119651	1108 X 14MM-KW BUSHING	0.14
	16	119652	1108 X 16MM-KW BUSHING	0.13
	18	119653	1108 X 18MM-KW BUSHING	0.13
	19	119570	1108 X 19MM-KW BUSHING	0.12
	20	119579	1108 X 20MM-KW BUSHING	0.12
	22	119580	1108 X 22MM-KW BUSHING	0.11
	22	426376	1108 X 22MM-KW BUSHING	0.14
	24	119581	1108 X 24MM-KW BUSHING	0.09
	25	119582	1108 X 25MM-KW BUSHING	0.09
1210	RSB*	115474	1210 X 12.7MM-NK BUSHING	0.27
	14	119583	1210 X 14MM-KW BUSHING	0.27
	15	100012	1210 X 15MM-KW BUSHING	0.27
	16	119654	1210 X 16MM-KW BUSHING	0.24
	18	119584	1210 X 18MM-KW BUSHING	0.27
	19	119571	1210 X 19MM-KW BUSHING	0.27
	20	119585	1210 X 20MM-KW BUSHING	0.27
	22	119655	1210 X 22MM-KW BUSHING	0.27
	24	119586	1210 X 24MM-KW BUSHING	0.23
	25	119587	1210 X 25MM-KW BUSHING	0.23
	28	119588	1210 X 28MM-KW BUSHING	0.18
	30	119589	1210 X 30MM-KW BUSHING	0.18
	32	119590	1210 X 32MM-KW BUSHING	0.18
1310	RSB*	115476	1310 X 12.7MM-NK BUSHING	0.3
	14	119656	1310 X 14MM-KW BUSHING	0.3
	16	119657	1310 X 16MM-KW BUSHING	0.29
	18	119658	1310 X 18MM-KW BUSHING	0.28
	19	119572	1310 X 19MM-KW BUSHING	0.28
	20	119659	1310 X 20MM-KW BUSHING	0.27
	22	119660	1310 X 22MM-KW BUSHING	0.26
	24	119591	1310 X 24MM-KW BUSHING	0.24
	25	119592	1310 X 25MM-KW BUSHING	0.24
	28	119593	1310 X 28MM-KW BUSHING	0.22
	30	119594	1310 X 30MM-KW BUSHING	0.2
	32	119595	1310 X 32MM-KW BUSHING	0.3
	35	119596	1310 X 35MM-KW BUSHING	0.15
1610	RSB*	115477	1610 X 12.7MM-NK BUSHING	0.4
	14	119661	1610 X 14MM-KW BUSHING	0.41
	15	100014	1610 X 15MM-KW BUSHING	0.41
	16	119662	1610 X 16MM-KW BUSHING	0.41
	18	119663	1610 X 18MM-KW BUSHING	0.41
	19	119573	1610 X 19MM-KW BUSHING	0.41
	20	119598	1610 X 20MM-KW BUSHING	0.36
	22	119236	1610 X 22MM-KW BUSHING	0.32
	24	119599	1610 X 24MM-KW BUSHING	0.32
	25	119600	1610 X 25MM-KW BUSHING	0.32
	28	119601	1610 X 28MM-KW BUSHING	0.32
	30	119602	1610 X 30MM-KW BUSHING	0.32
	32	119603	1610 X 32MM-KW BUSHING	0.32
	35	119604	1610 X 35MM-KW BUSHING	0.32
	38	119605	1610 X 38MM-KW BUSHING	0.32
	40	119606	1610 X 40MM-KW BUSHING	0.32
	42	393002	1610 X 42MM-KW BUSHING	0.32
2012	RSB*	115479	2012 X 12.7MM-NK BUSHING	0.75
	14	119664	2012 X 14MM-KW BUSHING	0.77
	15	100016	2012 X 15MM-KW BUSHING	0.77
	16	119665	2012 X 16MM-KW BUSHING	0.77
	18	119666	2012 X 18MM-KW BUSHING	0.77
	19	119574	2012 X 19MM-KW BUSHING	0.77
	20	119607	2012 X 20MM-KW BUSHING	0.77
	22	119667	2012 X 22MM-KW BUSHING	0.77

* Rough stock bore

Bushing size	Bore (mm)	Part number	Description	Mass (Kg)
2012	24	119608	2012 X 24MM-KW BUSHING	0.73
Cont'd	25	119609	2012 X 25MM-KW BUSHING	0.73
	28	119610	2012 X 28MM-KW BUSHING	0.73
	30	119611	2012 X 30MM-KW BUSHING	0.68
	32	119612	2012 X 32MM-KW BUSHING	0.68
	35	119613	2012 X 35MM-KW BUSHING	0.63
	38	119614	2012 X 38MM-KW BUSHING	0.63
	40	119615	2012 X 40MM-KW BUSHING	0.63
	42	119616	2012 X 42MM-KW BUSHING	0.63
	45	119617	2012 X 45MM-KW BUSHING	0.63
	48	119668	2012 X 48MM-KW BUSHING	0.59
	50	115851	2012 X 50MM-KW BUSHING	0.59
2517	RSB*	115480	2517 X 12.7MM-NK BUSHING	1.6
	14	119669	2517 X 14MM-KW BUSHING	1.55
	16	119670	2517 X 16MM-KW BUSHING	1.55
	18	119671	2517 X 18MM-KW BUSHING	1.52
	19	119672	2517 X 19MM-KW BUSHING	1.52
	20	119618	2517 X 20MM-KW BUSHING	1.52
	22	119619	2517 X 22MM-KW BUSHING	1.48
	24	119620	2517 X 24MM-KW BUSHING	1.46
	25	119621	2517 X 25MM-KW BUSHING	1.45
	28	119622	2517 X 28MM-KW BUSHING	1.42
	30	119623	2517 X 30MM-KW BUSHING	1.4
	32	119624	2517 X 32MM-KW BUSHING	1.36
	35	119625	2517 X 35MM-KW BUSHING	1.31
	38	119626	2517 X 38MM-KW BUSHING	1.27
	40	119627	2517 X 40MM-KW BUSHING	1.23
	42	119628	2517 X 42MM-KW BUSHING	1.18
	45	119629	2517 X 45MM-KW BUSHING	1.12
	48	119630	2517 X 48MM-KW BUSHING	1.05
	50	119640	2517 X 50MM-KW BUSHING	1.01
	55	119641	2517 X 55MM-KW BUSHING	0.88
	60	119642	2517 X 60MM-KW BUSHING	0.74
	65	119643	2517 X 65MM-KW BUSHING	0.6
3020	RSB*	115481	3020 X 22.2MM-NK BUSHING	2.47
	24	119673	3020 X 24MM-KW BUSHING	1.81
	25	119674	3020 X 25MM-KW BUSHING	1.81
	28	119675	3020 X 28MM-KW BUSHING	1.81
	30	119676	3020 X 30MM-KW BUSHING	1.81
	32	119677	3020 X 32MM-KW BUSHING	1.72
	35	119678	3020 X 35MM-KW BUSHING	1.72
	38	119679	3020 X 38MM-KW BUSHING	1.72
	40	119680	3020 X 40MM-KW BUSHING	1.72
	42	119681	3020 X 42MM-KW BUSHING	1.63
	45	119682	3020 X 45MM-KW BUSHING	1.63
	48	119644	3020 X 48MM-KW BUSHING	1.59
	50	119645	3020 X 50MM-KW BUSHING	1.59
	55	119646	3020 X 55MM-KW BUSHING	1.54
	60	119647	3020 X 60MM-KW BUSHING	1.54
	65	119648	3020 X 65MM-KW BUSHING	1.54
	70	119649	3020 X 70MM-KW BUSHING	1.54
	75	119650	3020 X 75MM-KW BUSHING	1.54
	80	117721	3020 X 80MM-KW BUSHING	3.12
3525	RSB*	395122	3525 X 30.16MM-NK BUSHING	6.57
	35	100018	3525 X 35MM-KW BUSHING	6.49
	38	100019	3525 X 38MM-KW BUSHING	6.35
	40	100020	3525 X 40MM-KW BUSHING	6.35
	42	100021	3525 X 42MM-KW BUSHING	6.3
	45	100023	3525 X 45MM-KW BUSHING	6.03
	48	100024	3525 X 48MM-KW BUSHING	5.99
	50	100025	3525 X 50MM-KW BUSHING	5.9
	55	100026	3525 X 55MM-KW BUSHING	5.62
	60	100027	3525 X 60MM-KW BUSHING	5.44
	65	100028	3525 X 65MM-KW BUSHING	5.17
	70	100029	3525 X 70MM-KW BUSHING	4.72
	75	100030	3525 X 75MM-KW BUSHING	4.31
	80	100031	3525 X 80MM-KW BUSHING	3.9
	85	100032	3525 X 85MM-KW BUSHING	3.85
	90	100033	3525 X 90MM-KW BUSHING	3.63
	95	100037	3525 X 95MM-KW BUSHING	3.58
	10	100038	3525 X 10MM-KW BUSHING	3.58

* Rough stock bore

Part numbers

Dodge® Taper-Lock® bushings

Taper-Lock bushings

Bushing size	Bore (mm)	Part number	Description	Mass (Kg)
3535	RSB*	115967	3535 X 30.16MM-NK BUSHING	6.97
	32	119814	3535 X 32MM-KW BUSHING	6.87
	35	115902	3535 X 35MM-KW BUSHING	6.35
	38	119815	3535 X 38MM-KW BUSHING	6.35
	40	115904	3535 X 40MM-KW BUSHING	6.35
	42	115905	3535 X 42MM-KW BUSHING	6.26
	45	115906	3535 X 45MM-KW BUSHING	6.12
	48	119816	3535 X 48MM-KW BUSHING	5.99
	50	117738	3535 X 50MM-KW BUSHING	5.9
	55	119817	3535 X 55MM-KW BUSHING	5.62
	60	119883	3535 X 60MM-KW BUSHING	5.44
	65	117737	3535 X 65MM-KW BUSHING	5.31
	70	115912	3535 X 70MM-KW BUSHING	5.03
	75	117722	3535 X 75MM-KW BUSHING	4.81
	80	117297	3535 X 80MM-KW BUSHING	4.67
	85	393170	3535 X 85MM-KW BUSHING	4.26
	90	426013	3535 X 90MM-KW BUSHING	4.08
	95	117728	3535 X 95MM-KW BUSHING	4.08
	4030	RSB*	395123	4030 X 36.51MM-NK BUSHING
40		100039	4030 X 40MM-KW BUSHING	9.89
42		100040	4030 X 42MM-KW BUSHING	9.75
45		100041	4030 X 45MM-KW BUSHING	9.52
48		100043	4030 X 48MM-KW BUSHING	9.48
50		100044	4030 X 50MM-KW BUSHING	9.34
55		100046	4030 X 55MM-KW BUSHING	9.25
60		100047	4030 X 60MM-KW BUSHING	8.84
65		100048	4030 X 65MM-KW BUSHING	8.66
70		100049	4030 X 70MM-KW BUSHING	8.03
75		100050	4030 X 75MM-KW BUSHING	7.8
80		100051	4030 X 80MM-KW BUSHING	7.48
85		100052	4030 X 85MM-KW BUSHING	6.62
90		100053	4030 X 90MM-KW BUSHING	6.03
95		100054	4030 X 95MM-KW BUSHING	5.76
100		100056	4030 X 100MM-KW BUSHING	5.71
105		100057	4030 X 105MM-KW BUSHING	5.71
110		100058	4030 X 110MM-KW BUSHING	5.71
115		100059	4030 X 115MM-KW BUSHING	5.26
4040	RSB*	115968	4040 X 36.5MM-NK BUSHING	10.38
	40	115917	4040 X 40MM-KW BUSHING	9.8
	42	115918	4040 X 42MM-KW BUSHING	9.66
	45	115919	4040 X 45MM-KW BUSHING	9.52
	48	119818	4040 X 48MM-KW BUSHING	9.48
	50	115921	4040 X 50MM-KW BUSHING	9.43
	55	119819	4040 X 55MM-KW BUSHING	9.3
	60	119820	4040 X 60MM-KW BUSHING	9.3
	65	115924	4040 X 65MM-KW BUSHING	9.21
	70	115925	4040 X 70MM-KW BUSHING	8.84
	75	117723	4040 X 75MM-KW BUSHING	8.16
	80	117724	4040 X 80MM-KW BUSHING	7.48
	85	115928	4040 X 85MM-KW BUSHING	6.98
	90	117726	4040 X 90MM-KW BUSHING	6.8
	95	117725	4040 X 95MM-KW BUSHING	4.54
	100	117729	4040 X 100MM-KW BUSHING	6.35

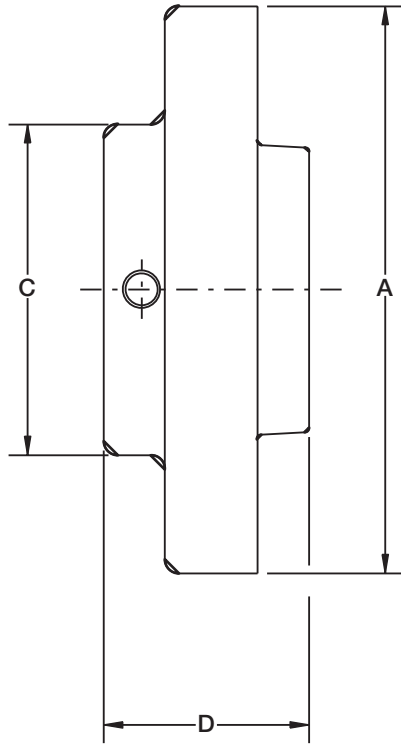
* Rough stock bore

Bushing size	Bore (mm)	Part number	Description	Mass (Kg)	
4535	RSB*	395124	4535 X 49.21MM-NK BUSHING	13.83	
	55	100061	4535 X 55MM-KW BUSHING	13.15	
	60	100062	4535 X 60MM-KW BUSHING	12.43	
	65	100063	4535 X 65MM-KW BUSHING	11.97	
	70	100064	4535 X 70MM-KW BUSHING	11.34	
	75	100065	4535 X 75MM-KW BUSHING	10.97	
	80	100066	4535 X 80MM-KW BUSHING	10.79	
	85	100067	4535 X 85MM-KW BUSHING	10.16	
	90	100071	4535 X 90MM-KW BUSHING	9.57	
	95	100074	4535 X 95MM-KW BUSHING	9.02	
	100	100075	4535 X 100MM-KW BUSHING	8.57	
	105	100076	4535 X 105MM-KW BUSHING	8.44	
	110	100077	4535 X 110MM-KW BUSHING	7.62	
	115	100078	4535 X 115MM-KW BUSHING	6.94	
	120	100079	4535 X 120MM-KW BUSHING	6.89	
	125	100080	4535 X 125MM-KW BUSHING	6.76	
	4545	RSB*	115969	4545 X 49.21MM-NK BUSHING	13.78
		50	115935	4545 X 50MM-KW BUSHING	13.15
		55	115936	4545 X 55MM-KW BUSHING	13.15
60		115937	4545 X 60MM-KW BUSHING	12.92	
65		115938	4545 X 65MM-KW BUSHING	12.7	
70		115939	4545 X 70MM-KW BUSHING	12.24	
75		115940	4545 X 75MM-KW BUSHING	11.34	
80		115941	4545 X 80MM-KW BUSHING	10.88	
85		115942	4545 X 85MM-KW BUSHING	10.88	
90		115943	4545 X 90MM-KW BUSHING	10.66	
95		100081	4545 X 95MM-KW BUSHING	10.2	
100		115944	4545 X 100MM-KW BUSHING	9.98	
105		115945	4545 X 105MM-KW BUSHING	9.52	
110		115946	4545 X 110MM-KW BUSHING	9.07	
5040		RSB*	115975	5040 X 61.91MM-NK BUSHING	14.52
		70	100082	5040 X 70MM-KW BUSHING	16.6
		75	100083	5040 X 75MM-KW BUSHING	16.42
		80	100084	5040 X 80MM-KW BUSHING	15.78
		85	100085	5040 X 85MM-KW BUSHING	14.83
	90	100087	5040 X 90MM-KW BUSHING	14.24	
	95	100089	5040 X 95MM-KW BUSHING	13.47	
	100	100090	5040 X 100MM-KW BUSHING	13.02	
	105	100091	5040 X 105MM-KW BUSHING	12.47	
	110	100092	5040 X 110MM-KW BUSHING	9.34	
	115	100093	5040 X 115MM-KW BUSHING	9.34	
	120	100094	5040 X 120MM-KW BUSHING	9.34	
	125	100095	5040 X 125MM-KW BUSHING	1.18	
	5050	RSB	395125	5050 X 49.21MM-NK BUSHING	17.69
		50	115456	5050 X 50MM-KW BUSHING	17.69
		55	115458	5050 X 55MM-KW BUSHING	17.46
		60	115459	5050 X 60MM-KW BUSHING	17.23
		65	115460	5050 X 65MM-KW BUSHING	17.01
		70	115461	5050 X 70MM-KW BUSHING	16.78
75		115462	5050 X 75MM-KW BUSHING	16.55	
80		115463	5050 X 80MM-KW BUSHING	15.87	
85		115464	5050 X 85MM-KW BUSHING	14.97	
90		115465	5050 X 90MM-KW BUSHING	14.51	
95		100096	5050 X 95MM-KW BUSHING	13.61	
100		115466	5050 X 100MM-KW BUSHING	12.06	
105		115467	5050 X 105MM-KW BUSHING	11.79	
110		117736	5050 X 110MM-KW BUSHING	11.79	
115		115469	5050 X 115MM-KW BUSHING	10.88	
120		115470	5050 X 120MM-KW BUSHING	9.98	
125		115471	5050 X 125MM-KW BUSHING	9.07	

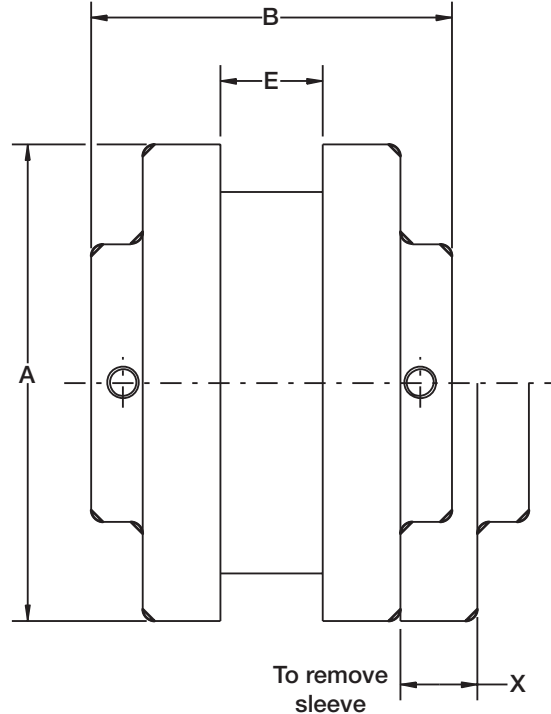
* Rough stock bore

Ratings/dimensions

Dodge® D-Flex Type S couplings



Type "S" flange



Type "S" coupling

D-Flex Type S couplings**

Coupling size	Min. bore (mm)	Max. bore (mm)	EPDM and neoprene		Hytrek		Max. RPM	A (mm)	B (mm)	C (mm)	D (mm)	E (mm)	X (mm)	Mass (Kg)	Inertia ⁽¹⁾ (Kg-m ²)
			kW / 100	Torque (N-m)	kW / 100	Torque (N-m)									
5S	13	32*	0.28	27	—	—	7,600	83	71	48	34	19	25	0.5	0.0008
6S	13	40*	0.53	51	2.16	203	6,000	102	89	71	41	22	28	0.9	0.003
7S	13	48*	0.9	82	3.43	325	5,250	118	100	71	47	25	33	1.2	0.005
8S	13	60*	1.34	128	5.37	512	4,500	138	113	83	53	29	38	2	0.01
9S	23	68*	2.09	203	8.51	814	3,750	161	129	92	61	37	44	2.9	0.02
10S	28	80*	3.43	325	13.43	1,282	3,600	191	145	111	69	41	51	4.8	0.05
11S	30	96*	5.37	512	21.34	2,034	3,600	219	181	143	87	48	60	8.2	0.10
12S	38	108*	8.5	814	37.31	3,559	2,800	254	210	146	102	59	68	12.6	0.19
13S	51	114*	13.43	1,282	55.97	5,341	2,400	299	235	171	111	68	78	20.5	0.42
14S	51	127*	21.34	2,034	85.82	8,190	2,200	353	251	191	114	83	89	31.3	0.93
16S	51	152*	55.95	5,339	—	—	1,500	480	362	203	152	121	108	56.8	3.85

* Max bores with metric shallow keys. Metric shallow keys have standard height less 1mm.

** Includes metric setscrews

(1) Inertia values are for complete coupling with rough stock bore and split EPDM element.

Part numbers

Dodge® D-Flex Type S couplings

Complete D-Flex Type S coupling consists of: one sleeve and two flanges

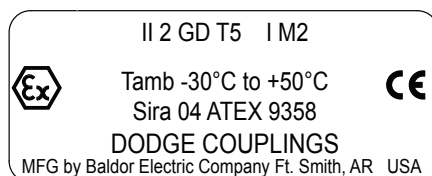
D-Flex Type S coupling flanges

Bore (mm)	Coupling size										
	5S	6S	7S	8S	9S	10S	11S	12S	13S	14S	16S
Reborable	004976	004977	004978	004979	004980	004981	004982	004983	004993	004994	004995
14	004856	004865	004878	004893	—	—	—	—	—	—	—
16	004857	004866	004879	004894	—	—	—	—	—	—	—
18	004858	004867	004880	004895	—	—	—	—	—	—	—
19	004859	004868	004881	004896	—	—	—	—	—	—	—
20	004860	004869	004882	004897	—	—	—	—	—	—	—
22	004861	004870	004883	004898	004916	—	—	—	—	—	—
24	004862	004871	004884	004899	004917	—	—	—	—	—	—
25	004863	004872	004885	004900	004918	—	—	—	—	—	—
28	004864	004873	004886	004901	004919	004928	—	—	—	—	—
30	004193	004874	004887	004902	004920	004929	004942	—	—	—	—
32	—	004875	004888	004903	004921	004930	004943	—	—	—	—
35	—	004876	004889	004904	004922	004931	004944	—	—	—	—
38	—	394350	004890	004905	004923	004932	004945	004960	—	—	—
40	—	—	004891	004906	004924	004933	004946	004961	—	—	—
42	—	—	004892	004907	004925	004934	004947	004962	—	—	—
45	—	—	005006	004908	004926	004935	004948	004963	—	—	—
48	—	—	005007	004909	004927	004936	004949	004964	—	—	—
50	—	—	—	004910	004181	004937	004950	004965	—	—	—
55	—	—	—	005008	004182	004938	004951	004966	—	—	—
60	—	—	—	395371	005009	004939	004952	004967	—	—	—
65	—	—	—	—	395373	004940	004953	004968	004177	—	—
70	—	—	—	—	—	004941	004954	004969	—	—	—
75	—	—	—	—	—	395372	004955	004970	004178	—	—
80	—	—	—	—	—	395374	004956	004971	004180	004179	004757
85	—	—	—	—	—	—	004957	004972	—	—	—
90	—	—	—	—	—	—	004958	004973	—	—	—
95	—	—	—	—	—	—	004959	004974	—	—	—
100	—	—	—	—	—	—	—	004975	—	—	—

Unless otherwise specified, all D-Flex flanges are clearance fit per ISO R775. See page 51 for additional details.

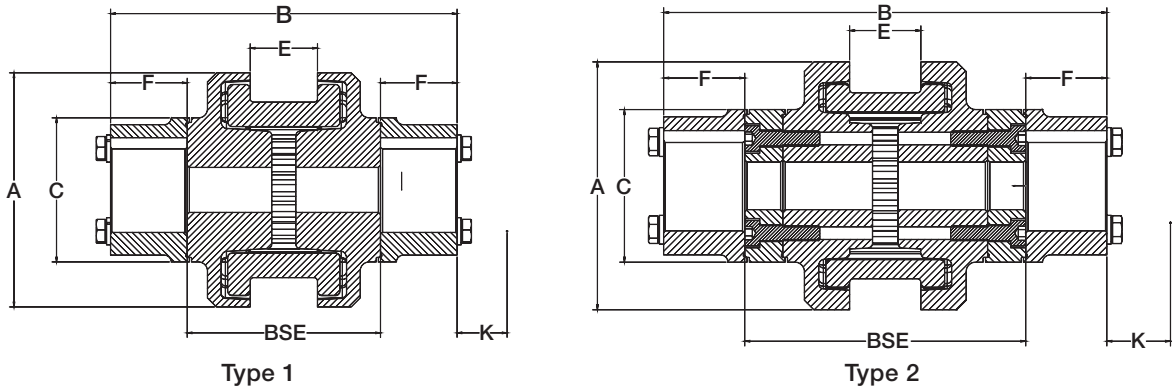
D-Flex coupling sleeves

Coupling size	EPDM			Neoprene			Hytel	
	JE	JES	E	JN	JNS	N	H	HS
Element construction	One-piece solid	One-piece split	Two-piece	One-piece solid	One-piece split	Two-piece	One-piece solid	Two-piece
5	004212	004246	022191	004213	004247	022212	—	—
6	004214	004248	022192	004215	004249	022213	022183	022232
7	004216	004250	022193	004217	004251	022214	022184	022233
8	004218	004252	022194	004219	004253	022215	022185	022234
9	004220	004254	022195	—	—	022216	022186	022235
10	004222	004256	022196	—	—	022217	022187	022236
11	—	—	022197	—	—	022218	022188	022237
12	—	—	022198	—	—	022219	022189	022238
13	—	—	021990	—	—	021993	—	022239
14	—	—	021991	—	—	021994	—	425730
16	—	—	021992	—	—	—	—	—



Ratings/dimensions

Dodge® D-Flex Type SC couplings



D-Flex Type SC couplings

Coupling size	BSE	Flange number	Spacer type	Min. bore (mm)	Max. bore (mm)	A (mm)	B (mm)	C (mm)	E (mm)	F (mm)	K (mm)	Inertia ⁽²⁾ (kg-m ²)	Mass ⁽³⁾ (kg)
5SC	100	5SC - 100MM	Type 2	13	30	83	154	51	19	28	13	0.001	1.97
	140	5SC - 140MM	Type 2	13	30	83	194	51	19	28	13	0.001	2.47
6SC	100	6SC - 100MM	Type 2	16	38	102	160	64	22	31	15	0.003	3.59
	140	6SC - 140MM	Type 2	16	38	102	200	64	22	31	15	0.004	4.53
	180	6SC - 180MM	Type 2	16	38	102	240	64	22	31	15	0.005	5.56
	250	6SC - 250MM	Type 2	16	38	102	310	64	22	31	15	0.006	7.37
7SC	100	7SC - 100MM	Type 1	16	44	118	172	71	25	37	18	0.005	4.34
	140	7SC - 140MM	Type 2	16	44	118	212	71	25	37	18	0.005	5.25
	180	7SC - 180MM	Type 2	16	44	118	252	71	25	37	18	0.006	6.27
	250	7SC - 250MM	Type 2	16	44	118	322	71	25	37	18	0.007	8.04
8SC	100	8SC - 100MM	Type 1	20	50	138	186	83	29	44	22	0.01	6.07
	140	8SC - 140MM	Type 2	20	50	138	226	83	29	44	22	0.01	7.74
	180	8SC - 180MM	Type 2	20	50	138	266	83	29	44	22	0.01	9.1
	250	8SC - 250MM	Type 2	20	50	138	336	83	29	44	22	0.01	11.46
8SC-10	3.5	8SC35 - 10	Type 1	29	62	138	208	111	37	59	93	0.02	10.6
	5	8SC50 - 10	Type 2	29	62	138	246	111	37	59	93	0.02	13.4
9SC	100	9SC - 100MM	Type 1	23	54	161	198	92	37	50	26	0.02	9.13
	140	9SC - 140MM	Type 1	23	54	161	238	92	37	50	26	0.02	11.51
	180	9SC - 180MM	Type 2	23	54	161	278	92	37	50	26	0.02	12.14
	250	9SC - 250MM	Type 2	23	54	161	348	92	37	50	26	0.03	15.01
9SC-11	5	9SC70 - 11	Type 2	29	73	161	265	133	37	69	92	0.04	19.2
	7	9SC70 - 11	Type 2	29	73	161	316	133	37	69	92	0.04	23.5
	7.75	9SC78 - 11	Type 2	29	73	161	334	133	37	69	93	0.04	25.1
10SC	140	10SC - 140MM	Type 1	29	62	191	256	111	41	59	31	0.05	16.5
	180	10SC - 180MM	Type 2	29	62	191	296	111	41	59	31	0.05	18.34
	250	10SC - 250MM	Type 2	29	62	191	366	111	41	59	31	0.06	22.49
10SC-13	7	10SC70 - 13	Type 2	35	86	191	345	160	41	84	126	0.08	34.3
	7.75	10SC78 - 13	Type 2	35	86	191	364	160	41	84	126	0.08	36.6
	10	10SC100 - 13	Type 2	35	86	191	422	160	41	84	126	0.08	44
11SC	140	11SC - 140MM	Type 1	29	73	219	276	133	48	69	32	0.10	25.74
	180	11SC - 180MM	Type 1	29	73	219	316	133	48	69	32	0.11	30.06
	250	11SC - 250MM	Type 2	29	73	219	386	133	48	69	32	0.12	35.34
11SC-14	7	11SC70 - 14	Type 2	42	98	219	373	165	48	98	138	0.13	47.1
	7.75	11SC78 - 14	Type 2	42	98	219	392	165	48	98	138	0.14	49.6
	10	11SC100 - 14	Type 2	42	98	219	450	165	48	98	138	0.14	57.1
12SC	180	12SC - 180MM	Type 1	48	73	254	328	146	59	75	45	0.2	38.38
	250	12SC - 250MM	Type 2	48	73	254	398	146	59	75	45	0.22	45.81
12SC-14	7	12SC70 - 14	Type 1	42	98	254	373	165	59	98	138	0.23	54.2
	7.75	12SC78 - 14	Type 2	42	98	254	392	165	59	98	138	0.23	56.7
	10	12SC100 - 14	Type 2	42	98	254	450	165	59	98	138	0.23	64.2
13SC	180	13SC - 180MM	Type 1	35	86	299	348	156	68	85	46	0.43	54.66
	250	13SC - 250MM	Type 2	35	86	299	418	156	68	85	46	0.43	57.8

(1) Maximum speed for Type SC is the same as Type S

(2) Inertia is for the complete coupling with rough stock bore and fully split EPDM element

(3) Weight is for the complete coupling with rough stock bore and fully split EPDM element

Part numbers

Dodge® D-Flex Type SC couplings

D-Flex Type SC coupling spacer flanges

BSE distance (mm)	Pump standard	Coupling size														
		5SC	6SC	7SC	8SC	8SC-10	9SC	9SC-11	10SC	10SC-13	11SC	11SC-14	12SC	12SC-14	13SC	14SC
89	ANSI	022000	022001	022004	022007	022775	022010	—	—	—	—	—	—	—	—	—
100	ISO	022424 ⁽²⁾	022422	022826 ⁽¹⁾	022830	—	022834	—	—	—	—	—	—	—	—	—
111	ANSI	—	022002	022005	022008	—	022011	—	—	—	—	—	—	—	—	—
121	MISC	—	—	—	—	—	—	—	022013	—	022015	—	—	—	—	—
127	ANSI	—	022003	022006	022009	022776	022012	022777	022014	—	022016	—	—	—	—	—
140	ISO	022425 ⁽²⁾	022823	022827 ⁽²⁾	022831	—	022835	—	022838	—	022841	—	—	—	—	—
178	ANSI	—	—	—	—	—	—	022778	—	022780	—	022783	022017	022786	—	—
180	ISO	—	022824	022828 ⁽²⁾	022832	—	022836	—	022839	—	022842	—	022844	—	022846	—
197	ANSI	—	—	—	—	—	—	022779	—	022781	—	022784	022018	022787	021997	021998
250	ISO	—	022825	022829 ⁽²⁾	022833	—	022837	—	022840	—	022843	—	022845	—	022847	—
254	MISC	—	—	—	—	—	—	—	—	022782	—	022785	—	022788	—	—

Additional spacer lengths are available for Dodge D-Flex Type-SC couplings. Minimum and maximum BSE's are shown in dimensional information on page 30.

(1) Type 1 spacer design

(2) Type 2 spacer design

D-Flex Type SC coupling shaft hubs

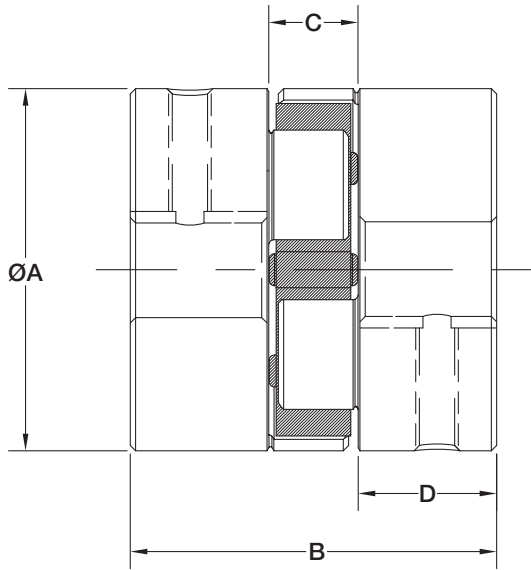
Bore (mm)	Coupling size									
	5SC	6SC	7SC	8SC	9SC	10SC	11SC	12SC	13SC	14SC
Hardware kit	411982	411983	411984	411985	411986	411987	411988	411989	411990	—
Reborable	022220	022221	022222	022223	022224	022225	022226	022227	022228	660248
12	022848	—	—	—	—	—	—	—	—	—
14	022849	—	—	—	—	—	—	—	—	—
16	022850	022859	022871	—	—	—	—	—	—	—
18	022851	022860	022872	—	—	—	—	—	—	—
19	022852	022861	022873	—	—	—	—	—	—	—
20	022853	022862	022874	022885	—	—	—	—	—	—
22	022854	022863	022875	022886	—	—	—	—	—	—
24	022855	022864	022876	022887	022899	—	—	—	—	—
25	022856	022865	022877	022888	022900	—	—	—	—	—
28	022857	022866	022878	022889	022901	—	—	—	—	—
30	022858	022867	022879	022890	022902	022911	022922	—	—	—
32	—	022868	022880	022891	022903	022912	022923	—	—	—
35	—	022869	022881	022892	022904	022913	022924	—	022941	—
38	—	022870	022882	022893	022905	022914	022925	—	022942	—
40	—	—	022883	022894	022906	022915	022926	—	022943	—
42	—	—	022884	022895	022907	022916	022927	—	022944	—
45	—	—	—	022896	022908	022917	022928	—	022945	—
48	—	—	—	022897	022909	022918	022929	022935	022946	—
50	—	—	—	022898	022910	022919	022930	022936	022947	—
55	—	—	—	—	—	022920	022931	022937	022948	—
60	—	—	—	—	—	022921	022932	022938	022949	—
65	—	—	—	—	—	—	022933	022939	022950	—
70	—	—	—	—	—	—	022934	022940	022951	—
75	—	—	—	—	—	—	—	—	022952	—
80	—	—	—	—	—	—	—	—	022953	—
85	—	—	—	—	—	—	—	—	022954	—

*Includes metric setscrews

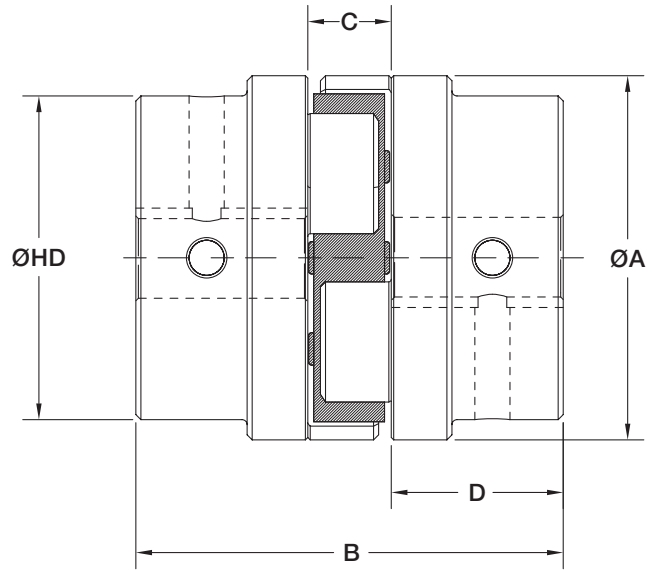
(1) Unless otherwise specified, all D-Flex shaft hubs are clearance fit per ISO R775. See page 51 for additional details.

Ratings/dimensions

Dodge® StarFlex couplings



Type 1



Type 2

Size	Torque and speed ratings						Misalignment ratings			
	Torque (Nm)			Speed (RPM)			Parallel (mm)		Angular	
	NBR	Urethane	Hytrel	Bronze	NBR, urethane, hytrel	Bronze	NBR, urethane, hytrel	Bronze	NBR, urethane	Hytrel, bronze
L035	0.4	—	—	—	31,000	250	0.38	—	—	—
L050	3	4.5	5.6	5.6	18,000	250	0.38	0.25	1°	0.5°
L070	4.9	7.3	12.9	12.9	14,000	250	0.38	0.25	1°	0.5°
L075	10.2	15.3	25.6	25.6	11,000	250	0.38	0.25	1°	0.5°
L090	16.3	24.4	45.3	45.3	9,000	250	0.38	0.25	1°	0.5°
L095	21.9	32.9	63.4	63.4	9,000	250	0.38	0.25	1°	0.5°
L099	35.9	53.9	89.5	89.5	7,000	250	0.38	0.25	1°	0.5°
L100	47.1	70.7	128	128	7,000	250	0.38	0.25	1°	0.5°
L110	89.5	134	256	256	5,000	250	0.38	0.25	1°	0.5°
L150	140	210	419	419	5,000	250	0.38	0.25	1°	0.5°
L190	195	293	529	529	5,000	250	0.38	0.25	1°	0.5°
L225	264	397	704	704	4,200	250	0.38	0.25	1°	0.5°

Size	Type	Min. bore (mm)	Max. bore (mm)	A (mm)	HD (mm)	B (mm)	C (mm)	D (mm)	Inertia (Kg-m ²)	Mass ⁽¹⁾ (Kg)
L035	1	3	9	16	—	20.6	7.1	6.9	0.05	0.0000009
L050	1	6	16	27.4	—	43.4	12.2	15.7	0.09	0.00002
L070	1	6	19	34.5	—	50.3	12.2	19.1	0.18	0.00003
L075	1	6	22	44.5	—	54.1	12.7	20.8	0.36	0.0001
L090	1	6	25	53.6	—	54.6	13.2	20.8	0.54	0.0002
L095	1	11	29	53.6	—	63.8	13.2	25.4	0.59	0.0003
L099	1	11	30	64.5	—	72.1	18	26.9	0.91	0.0006
L100	1	11	35	64.5	—	88.4	18	35.1	1.09	0.0008
L110	1	16	42	84.3	—	107.2	22.4	42.7	2.4	0.003
L150	1	16	48	95.3	—	114	25.4	44.5	3.18	0.003
L190	2	19	54	114	102	123	25.4	49.3	5.58	0.01
L225	2	19	67	127	108	136	25.4	55.4	6.8	0.02

(1) Weight of coupling at maximum bore

Ratings/dimensions

Dodge® StarFlex couplings

Element part numbers

Spider element style	L035	L050	L070	L075	L090	L095
NBR Rubber (Solid)	L035N	L050N	L070N	L075N	L090-095N	L090-095N
NBR Rubber (Open Center)	—	—	—	L075N-HOLE	L090-095N-HOLE	L090-095N-HOLE
Urethane (Solid)	—	L050U	L070U	L075U	L090-095U	L090-095U
Urethane (Open Center)	—	—	L070U-HOLE	L075U-HOLE	L090-095U-HOLE	L090-095U-HOLE
Hytrel (Solid)	—	L050H	L070H	L075H	L090-095H	L090-095H
Hytrel (Open Center)	—	—	L070H-HOLE	L075H-HOLE	L090-095H-HOLE	L090-095H-HOLE
Bronze (Open Center)	—	L050B	L070B	L075B	L090-095B	L090-095B

Spider element style	L099	L100	L110	L150	L190	L225
NBR Rubber (Solid)	L099-100N	L099-100N	L110N	L150N	L190N	L225N
NBR Rubber (Open Center)	L099-100N-HOLE	L099-100N-HOLE	L110N-HOLE	L150N-HOLE	L190N-HOLE	L225N-HOLE
Urethane (Solid)	L099-100U	L099-100U	L110U	L150U	L190U	L225U
Urethane (Open Center)	L099-100U-HOLE	L099-100U-HOLE	L110U-HOLE	L150U-HOLE	—	—
Hytrel (Solid)	L099-100H	L099-100H	L110H	L150H	L190H	L225H
Hytrel (Open Center)	L099-100H-HOLE	L099-100H-HOLE	L110H-HOLE	L150H-HOLE	L190H-HOLE	L225H-HOLE
Bronze (Open Center)	L099-100B	L099-100B	L110B	L150B	L190B	L225B

Part numbers

Dodge® StarFlex couplings

StarFlex Type S coupling flanges L035 - L095

Bore (mm)	Keyway (mm)	Coupling size					
		L035	L050	L070	L075	L090	L095
4	No KW	L035x4MM	—	—	—	—	—
5	No KW	L035x5MM	L050x5MM	—	—	—	—
6	No KW	L035x6MM	L050x6MM	—	—	—	—
7	No KW	L035x7MM	L050x7MM	L070x7MM	—	—	—
8	No KW	L035x8MM	L050x8MM	L070x8MM	—	L090x8MM	—
9	3 x 1.4	—	L050x9MM	L070x9MM	L075x9MM	—	—
10	No KW	—	L050x10MMNOKW	L070x10MMNOKW	—	—	—
10	3 x 1.4	—	L050x10MM	L070x10MM	L075x10MM	L090x10MM	—
11	4 x 1.8	—	L050x11MM	L070x11MM	L075x11MM	—	L095x11MM
12	No KW	—	L050x12MMNOKW	L070x12MMNOKW	—	L090x12MMNOKW	—
12	4 x 1.8	—	L050x12MM	L070x12MM	L075x12MM	L090x12MM	L095x12MM
14	No KW	—	L050x14MMNOKW	—	—	L090x14MMNOKW	L095x14MMNOKW
14	5 x 2.3	—	L050x14MM	L070x14MM	L075x14MM	L090x14MM	L095x14MM
15	No KW	—	L050x15MMNOKW	L070x15MMNOKW	L075x15MMNOKW	—	L095x15MMNOKW
15	5 x 2.3	—	L050x15MM	L070x15MM	L075x15MM	L090x15MM	L095x15MM
16	5 x 2.3	—	L050x16MM	L070x16MM	L075x16MM	L090x16MM	L095x16MM
17	5 x 2.3	—	—	L070x17MM	L075x17MM	L090x17MM	L095x17MM
18	6 x 2.8	—	—	L070x18MM	L075x18MM	L090x18MM	L095x18MM
19	No KW	—	—	—	—	L090x19MMNOKW	—
19	6 x 2.8	—	—	L070x19MM	L075x19MM	L090x19MM	L095x19MM
20	6 x 2.8	—	—	—	L075x20MM	L090x20MM	L095x20MM
22	6 x 2.8	—	—	—	L075x22MM	L090x22MM	L095x22MM
24	8 x 3.3	—	—	—	—	L090x24MM	L095x24MM
25	8 x 3.3	—	—	—	—	L090x25MM	L095x25MM
28	No KW	—	—	—	—	—	—
28	8 x 3.3	—	—	—	—	—	L095x28MM
30	8 x 3.3	—	—	—	—	—	—
32	No KW	—	—	—	—	—	—
32	10 x 3.3	—	—	—	—	—	—
35	No KW	—	—	—	—	—	—
35	10 x 3.3	—	—	—	—	—	—
38	10 x 3.3	—	—	—	—	—	—
40	12 x 3.3	—	—	—	—	—	—
42	12 x 3.3	—	—	—	—	—	—
45	14 x 3.8	—	—	—	—	—	—
48	No KW	—	—	—	—	—	—
48	14 x 3.8	—	—	—	—	—	—
50	No KW	—	—	—	—	—	—
50	14 x 3.8	—	—	—	—	—	—
55	No KW	—	—	—	—	—	—
55	16 x 4.3	—	—	—	—	—	—
60	No KW	—	—	—	—	—	—
60	18 x 4.4	—	—	—	—	—	—
65	18 x 4.4	—	—	—	—	—	—

Part numbers

Dodge® StarFlex couplings

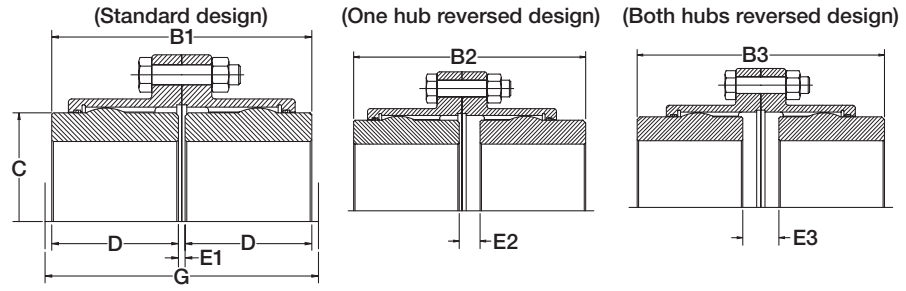
StarFlex Type S coupling flanges L099 - L225

Bore (mm)	Keyway (mm)	Coupling size					
		L099	L100	L110	L150	L190	L225
4	No KW	—	—	—	—	—	—
5	No KW	—	—	—	—	—	—
6	No KW	—	—	—	—	—	—
7	No KW	—	—	—	—	—	—
8	No KW	—	—	—	—	—	—
9	3 x 1.4	—	—	—	—	—	—
10	No KW	—	—	—	—	—	—
10	3 x 1.4	—	—	—	—	—	—
11	4 x 1.8	—	—	—	—	—	—
12	No KW	—	—	—	—	—	—
12	4 x 1.8	—	L100x12MM-PB	—	—	—	—
14	No KW	L099x14MM-PB	—	—	—	—	—
14	5 x 2.3	L099x14MM	L100x14MM	—	—	—	—
15	No KW	L099x15MMNOKW	L100x15MMNOKW	—	—	—	—
15	5 x 2.3	L099x15MM	L100x15MM	—	—	—	—
16	5 x 2.3	L099x16MM	L100x16MM	L110x16MM-PB	L150x16MM-PB	—	—
17	5 x 2.3	—	L100x17MM	L110x17MM	L150x17MM	—	—
18	6 x 2.8	L099x18MM	L100x18MM	L110x18MM	—	—	—
19	No KW	—	—	—	—	L190x19MM-PB	—
19	6 x 2.8	L099x19MM	L100x19MM	L110x19MM	L150x19MM	L190x19MM	—
20	6 x 2.8	L099x20MM	L100x20MM	L110x20MM	L150x20MM	L190x20MM	—
22	6 x 2.8	L099x22MM	L100x22MM	L110x22MM	L150x22MM	—	—
24	8 x 3.3	L099x24MM	L100x24MM	L110x24MM	L150x24MM	L190x24MM	—
25	8 x 3.3	L099x25MM	L100x25MM	L110x25MM	L150x25MM	L190x25MM	—
28	No KW	—	—	—	—	L190x28MMNOKW	—
28	8 x 3.3	L099x28MM	L100x28MM	L110x28MM	L150x28MM	L190x28MM	—
30	8 x 3.3	L099x30MM	L100x30MM	L110x30MM	L150x30MM	L190x30MM	L225x30MM-PB
32	No KW	—	—	—	L150x32MMNOKW	L190x32MMNOKW	L225x32MMNOKW
32	10 x 3.3	—	L100x32MM	L110x32MM	L150x32MM	L190x32MM	L225x32MM
35	No KW	—	L100x35MMNOKW	—	L150x35MMNOKW	L190x35MMNOKW	L225x35MMNOKW
35	10 x 3.3	—	L100x35MM	L110x35MM	L150x35MM	L190x35MM	L225x35MM
38	10 x 3.3	—	—	L110x38MM	L150x38MM	L190x38MM	L225x38MM
40	12 x 3.3	—	—	L110x40MM	L150x40MM	L190x40MM	L225x40MM
42	12 x 3.3	—	—	L110x42MM	L150x42MM	L190x42MM	L225x42MM
45	14 x 3.8	—	—	—	L150x45MM	L190x45MM	L225x45MM
48	No KW	—	—	—	L150x48MMNOKW	—	—
48	14 x 3.8	—	—	—	L150x48MM	L190x48MM	L225x48MM
50	No KW	—	—	—	L150x50MM	L190x50MMNOKW	L225x50MMNOKW
50	14 x 3.8	—	—	—	—	L190x50MM	L225x50MM
55	No KW	—	—	—	—	L190x55MM	L225x55MMNOKW
55	16 x 4.3	—	—	—	—	L190x55MM	L225x55MM
60	No KW	—	—	—	—	—	L225x60MMNOKW
60	18 x 4.4	—	—	—	—	—	L225x60MM
65	18 x 4.4	—	—	—	—	—	L225x65MM

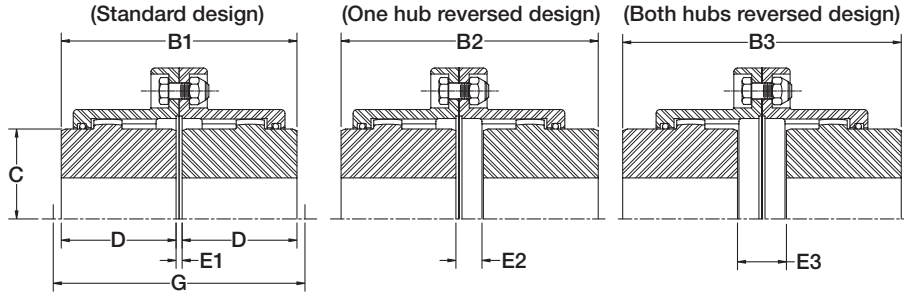
Ratings/dimensions

Dodge® DGF Gear couplings

Exposed bolt design



Shrouded bolt design



Gear couplings

Coupling size	Min. bore (mm)	Max. bore (mm)		kW / 100 ⁽¹⁾	Torque ⁽¹⁾ (N-m)	Max. RPM ⁽²⁾	Max. parallel offset ⁽³⁾	Mass (Kg) ⁽⁴⁾	Dimensions (mm)								Inertia ⁽⁵⁾ (Kg-m ²)	
		Flex hub	Rigid hub						B1	B2	B3	C	D	E1	E2	E3		G
DGF 1.0	11	42	56	9	847	6,000	1.4	4	89	97	105	59	43	3	11	19	106	0.006
DGF 1.5	18	56	76	22	2,135	5,500	1.52	9	102	108	114	76	49	3	10	16	121	0.02
DGF 2.0	24	73	95	37	3,559	5,000	2.16	15	127	148	162	102	62	3	21	38	152	0.04
DGF 2.5	37	85	114	67	6,406	4,400	2.67	25	159	179	198	117	77	5	25	44	181	0.1
DGF 3.0	37	107	134	112	10,677	4,000	2.92	39	187	204	221	143	91	22	21	38	206	0.19
DGF 3.5	46	125	150	179	17,095	3,500	3.3	61	219	233	138	165	106	6	21	35	238	0.43
DGF 4.0	62	145	176	261	24,924	3,000	3.81	88	248	265	283	191	121	6	24	41	260	0.8
DGF 4.5	76	165	202	358	34,178	2,700	4.45	122	278	305	332	216	135	8	35	62	292	1.25
DGF 5.0	76	180	230	515	49,137	2,500	5.08	179	314	348	383	241	153	8	42	76	330	2.42
DGF 5.5	101	200	260	679	64,797	2,200	5.59	239	359	397	435	175	175	8	46	84	365	3.74
DGF 6.0	101	225	285	887	84,739	2,100	3.05	312	384	420	456	292	188	8	44	79	432	5.05
DGF 7.0	127	255	320	1,193	113,934	2,000	3.43	461	451	484	518	330	221	10	43	76	508	9.4
DGF 8.0	152	310	375	1,565	149,500	1,900	4.06	708	568	—	—	394	279	10	—	—	625	—
DGF 9.0	177	340	415	2,161	206,400	1,800	4.19	914	597	—	—	432	292	13	—	—	660	—
Made-to-order		1,050	1,200	55,916	5,340,000	Contact Dodge for additional information.												

(1) Ratings are based on interference fit

(2) Higher speed capabilities are available by balancing. Contact Dodge engineering for further details

(3) Based on 1.5° angular misalignment per gear mesh for sizes 1-5.5, 3 / 4° angular angular misalignment per gear mesh for sizes 6 and 7.

Flex-Rigid configurations do not accept parallel misalignment

(4) Weight of complete coupling at maximum bore

(5) Inertia based on maximum bores

Flanged sleeve and rigid hub

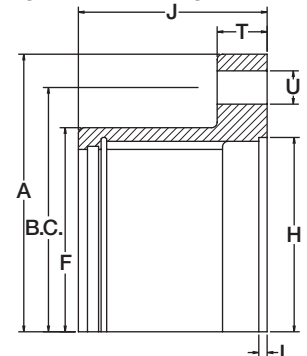
Coupling size	Outside diameter	Flange width		Flange thickness	Hub diameter	Undercut depth	Undercut diameter	Hole diameter	Bolt circle	Number of bolts
	A	J	T	T1						
Dimensions (mm)										
1 EB	116	42	14	—	76	2	73	6	86	5
1 SB	116	42	14	13	76	2	73	6	86	6
1.5 EB	152	48	19	—	98	2	94	10	122	8
1.5 SB	152	48	19	13	98	2	94	10	122	8
2 EB	178	60	19	—	122	2	117	13	149	6
2 SB	178	60	19	13	122	2	117	10	148	10
2.5 EB	213	73	24	—	148	2	138	16	181	6
2.5 SB	213	73	24	8	148	2	138	13	178	10
3 EB	240	84	24	—	173	2	164	16	206	8
3 SB	240	84	24	8	173	2	164	13	203	12
3.5 EB	279	97	29	—	199	2	187	19	241	8
3.5 SB	279	97	29	10	199	2	187	16	236	12
4 EB	318	108	29	—	233	5	222	19	279	8
4 SB	318	108	29	10	233	5	222	16	270	14
4.5 EB	346	122	29	—	262	5	248	19	305	10
4.5 SB	346	122	29	10	262	5	248	16	298	14
5 EB	389	140	38	—	291	5	273	22	343	8
5 SB	389	140	38	14	291	5	273	10	335	14
5.5 EB	425	152	38	—	267	5	308	22	368	14
5.5 SB	425	152	38	14	267	5	308	19	367	16
6 EB*	457	170	25	—	354	5	340	22	400	14
7 EB*	527	187	29	—	400	6	371	25	464	16

EB = Exposed bolt pattern

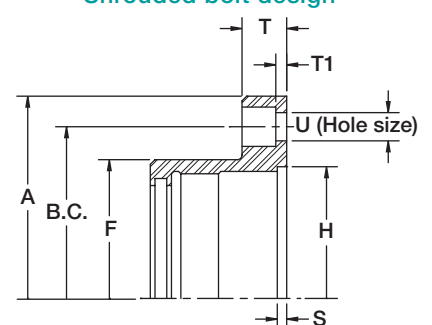
SB = Shrouded bolt pattern

* Sizes 6 - 9 only available in exposed bolt pattern

Exposed bolt design (Flanged sleeve and rigid hub details)



Shrouded bolt design



Part numbers

Dodge® DGF Gear couplings

Complete gear couplings may be ordered in 3 different assemblies –

Flex-Flex (or Full-Flex) = (two) Flex hubs [reborable], (two) sleeves (includes seal), and (one) hardware kit

Flex-Rigid = (one) Flex hub [reborable], (one) sleeve (includes seal), (one) Rigid hub [reborable], and (one) hardware kit

Rigid-Rigid = (two) Rigid hubs [reborable], and (one) hardware kit

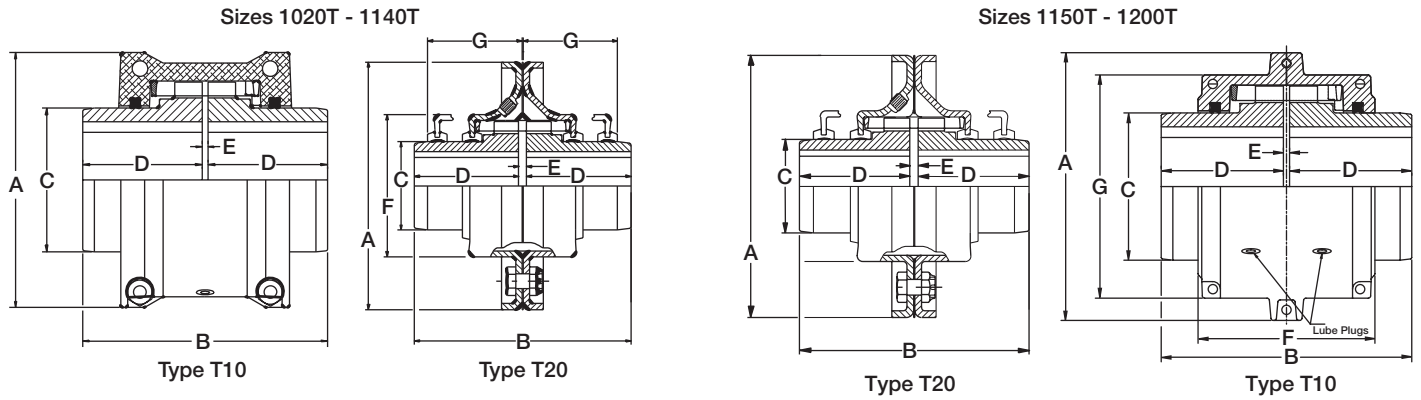
Gear coupling components

Part number	Description	Part number	Description	Part number	Description
Size 1.0		Size 3.0		Size 5.0	
013110	DGF 1.0 Flex hub	013126	DGF 3.0 Flex Hub	013142	DGF 5.0 Flex Hub
013111	DGF 1.0 Sleeve EB	013127	DGF 3.0 Sleeve EB	013143	DGF 5.0 Sleeve EB
012975	DGF 1.0 Sleeve SB	012979	DGF 3.0 Sleeve SB	012983	DGF 5.0 Sleeve SB
013112	DGF 1.0 Rigid hub EB	013128	DGF 3.0 Rigid Hub EB	013144	DGF 5.0 Rigid Hub EB
013113	DGF 1.0 EB Hardware Kit	013129	DGF 3.0 EB Hardware Kit	013145	DGF 5.0 EB Hardware Kit
394171	DGF 1.0 SB Hardware Kit	394175	DGF 3.0 SB Hardware Kit	394179	DGF 5.0 SB Hardware Kit
Size 1.5		Size 3.5		Size 5.5	
013114	DGF 1.5 Flex Hub	013130	DGF 3.5 Flex Hub	013146	DGF 5.5 Flex Hub
013115	DGF 1.5 Sleeve EB	013131	DGF 3.5 Sleeve EB	013147	DGF 5.5 Sleeve EB
012976	DGF 1.5 Sleeve SB	012980	DGF 3.5 Sleeve SB	012984	DGF 5.5 Sleeve SB
013116	DGF 1.5 Rigid hub EB	013132	DGF 3.5 Rigid hub EB	013148	DGF 5.5 Rigid Hub EB
013117	DGF 1.5 EB Hardware Kit	013133	DGF 3.5 EB Hardware Kit	013149	DGF 5.5 EB Hardware Kit
394172	DGF 1.5 SB Hardware Kit	394176	DGF 3.5 SB Hardware Kit	394180	DGF 5.5 SB Hardware Kit
Size 2.0		Size 4.0		Size 6.0	
013118	DGF 2.0 Flex Hub	013134	DGF 4.0 Flex Hub	013150	DGF 6.0 Flex Hub
013119	DGF 2.0 Sleeve EB	013135	DGF 4.0 Sleeve EB	013151	DGF 6.0 Sleeve EB
012977	DGF 2.0 Sleeve SB	012981	DGF 4.0 Sleeve SB	013152	DGF 6.0 Rigid Hub EB
013120	DGF 2.0 Rigid Hub EB	013136	DGF 4.0 Rigid Hub EB	013153	DGF 6.0 EB Hardware Kit
013121	DGF 2.0 EB Hardware Kit	013137	DGF 4.0 EB Hardware Kit		
394173	DGF 2.0 SB Hardware Kit	394177	DGF 4.0 SB Hardware Kit		
Size 2.5		Size 4.5		Size 7.0	
013122	DGF 2.5 Flex Hub	013138	DGF 4.5 Flex Hub	013154	DGF 7.0 Flex hub
013123	DGF 2.5 Sleeve EB	013139	DGF 4.5 Sleeve EB	013155	DGF 7.0 Sleeve EB
012978	DGF 2.5 Sleeve SB	012982	DGF 4.5 Sleeve SB	013156	DGF 7.0 Rigid Hub EB
013124	DGF 2.5 Rigid Hub EB	013140	DGF 4.5 Rigid Hub EB	013157	DGF 7.0 EB Hardware Kit
013125	DGF 2.5 EB Hardware Kit	013141	DGF 4.5 EB Hardware Kit		
394174	DGF 2.5 SB Hardware Kit	394178	DGF 4.5 SB Hardware Kit		
Size 8.0		Size 9.0			
013158	DGF 8.0 Flex Hub	013162	DGF 9.0 Flex Hub		
013159	DGF 8.0 Sleeve EB	013163	DGF 9.0 Sleeve EB		
013160	DGF 8.0 Rigid Hub EB	013164	DGF 9.0 Rigid Hub EB		
013161	DGF 8.0 EB Hardware Kit	013165	DGF 9.0 EB Hardware Kit		

(1) Spacer, Limited End Float (LEF), Slide Gear, shear pin, floating shaft, and other designs are available upon request. Consult Dodge engineering for further details. Unless otherwise specified, all Dodge DGF gear couplings are supplied with interference fits per ISO R775. See page 51 for additional details.

Ratings/dimensions

Dodge® Grid-Lign straight bore couplings




Grid-Lign straight bore couplings


Coupling size	Max. bore (mm)	kW / 100	Torque (N-m)	Max. RPM	Dimensions (mm)									Mass (Kg) ⁽¹⁾		Inertia ⁽²⁾ (Kg m ²)
							B	C	D	E	F	G	T10	T20		
					T10	T20										
1020T	30	0.54	52	4,500	6,000	88	111	99	40	48	3	0	0	1.27	1.36	0.001
1030T	38	1.56	149	4,500	6,000	99	121	99	49	48	3	0	0	1.72	1.81	0.004
1040T	44	2.61	249	4,500	6,000	107	129	105	57	51	3	0	0	2.13	2.22	0.004
1050T	50	4.55	435	4,500	6,000	129	148	124	67	61	3	0	0	3.31	3.4	0.008
1060T	57	7.16	684	4,350	6,000	139	162	130	76	64	3	0	0	4.99	4.99	0.01
1070T	67	10.41	994	4,125	5,500	150	173	156	87	76	3	0	0	6.26	6.35	0.02
1080T	80	21.48	2,051	3,600	4,750	176	200	181	105	89	3	0	0	11.39	11.61	0.04
1090T	95	39.04	3,728	3,600	4,000	196	232	200	124	99	3	0	0	15.92	16.15	0.07
1100T	110	65.72	6,276	2,440	3,250	251	267	246	142	122	5	0	0	28.39	28.67	0.16
1110T	120	97.6	9,321	2,250	3,000	270	286	259	160	127	5	0	0	35.61	35.83	0.24
1120T	138	143.15	13,671	2,025	2,700	308	319	305	179	150	8	0	0	51.71	51.71	0.46
1130T	170	208.22	19,885	1,800	2,400	346	378	330	217	163	8	0	0	74.84	74.84	0.85
1140T	200	299.32	28,585	1,650	2,200	384	416	375	254	185	8	0	0	107.05	107.05	1.53
1150T	215	416.45	39,771	1,500	2,000	455	478	373	269	183	8	274	394	234.05	234.05	3.62
1160T	240	585.62	55,927	1,350	1,750	503	533	404	305	198	8	279	437	317.06	317.06	5.9
1170T	280	780.84	74,570	1,225	1,600	569	584	439	356	216	8	310	488	448.15	448.15	10.31
1180T	300	1,082.52	103,381	1,110	1,400	630	630	485	394	239	8	323	556	619.15	619.15	18.69
1190T	335	1,431.54	136,712	1,050	1,300	671	686	526	465	259	8	325	605	776.1	776.1	27.89
1200T	360	1,952.09	186,425	900	1,100	762	737	566	498	279	8	356	663	1,058.23	1,058.23	46.27

(1) Weight of complete coupling at maximum bore

(2) Inertia of complete coupling at maximum bore


 II 2 GD c 200°C (T3)
 Tamb -30°C to +50°C
 Sira 16 ATEX 6169X
DODGE GRID-LIGN COUPLINGS
 MFG by Baldor Electric Company
 Greenville, SC / Ft. Smith, AR USA
 Sizes T10, T31, and T35




 II 2 GD c 200°C (T3)
 I M2 c 200°C
 Sira 16 ATEX 6169X
DODGE GRID-LIGN COUPLINGS
 MFG by Baldor Electric Company
 Greenville, SC / Ft. Smith, AR USA
 Size T20



Part numbers

Dodge® Grid-Lign straight bore couplings

Complete Grid-Lign coupling consists of: one grid, one cover assembly and two hubs

Grid-Lign coupling hubs

Bore (mm)	Coupling size																		
	1020T	1030T	1040T	1050T	1060T	1070T	1080T	1090T	1100T	1110T	1120T	1130T	1140T	1150T	1160T	1170T	1180T	1190T	1200T
Reborable	006290	006291	006292	006293	006294	006295	006296	006297	006298	006299	006300	006301	006245	007450	007451	007452	007453	007454	007455
14	007579	-	-	-	-	-	-	-	-	-	-	-	-	-	-	-	-	-	-
16	007580	-	-	-	-	-	-	-	-	-	-	-	-	-	-	-	-	-	-
17	007582	-	-	-	-	-	-	-	-	-	-	-	-	-	-	-	-	-	-
18	007583	-	-	-	-	-	-	-	-	-	-	-	-	-	-	-	-	-	-
19	007584	007590	-	-	-	-	-	-	-	-	-	-	-	-	-	-	-	-	-
20	007585	007591	-	-	-	-	-	-	-	-	-	-	-	-	-	-	-	-	-
22	007586	007592	-	-	-	-	-	-	-	-	-	-	-	-	-	-	-	-	-
24	007587	007593	-	-	-	-	-	-	-	-	-	-	-	-	-	-	-	-	-
25	007588	007594	-	-	-	-	-	-	-	-	-	-	-	-	-	-	-	-	-
28	007589	007595	007599	-	-	-	-	-	-	-	-	-	-	-	-	-	-	-	-
30	007674	007596	007600	-	-	-	-	-	-	-	-	-	-	-	-	-	-	-	-
32	-	007597	007601	-	-	-	-	-	-	-	-	-	-	-	-	-	-	-	-
35	-	007598	007602	007606	-	-	-	-	-	-	-	-	-	-	-	-	-	-	-
38	-	007675	007603	007607	007613	007621	-	-	-	-	-	-	-	-	-	-	-	-	-
40	-	-	007604	007608	007614	007622	-	-	-	-	-	-	-	-	-	-	-	-	-
42	-	-	007605	007609	007615	007623	-	-	-	-	-	-	-	-	-	-	-	-	-
45	-	-	-	007610	007616	007624	007632	-	-	-	-	-	-	-	-	-	-	-	-
48	-	-	-	007611	007617	007625	007633	-	-	-	-	-	-	-	-	-	-	-	-
50	-	-	-	007612	007618	007626	007634	-	-	-	-	-	-	-	-	-	-	-	-
55	-	-	-	-	007619	007627	007635	-	-	-	-	-	-	-	-	-	-	-	-
56	-	-	-	-	007620	007628	007636	-	-	-	-	-	-	-	-	-	-	-	-
60	-	-	-	-	-	007629	007637	007644	-	-	-	-	-	-	-	-	-	-	-
63	-	-	-	-	-	007630	007638	007645	-	-	-	-	-	-	-	-	-	-	-
65	-	-	-	-	-	007631	007639	007646	-	-	-	-	-	-	-	-	-	-	-
70	-	-	-	-	-	-	007640	007647	007654	-	-	-	-	-	-	-	-	-	-
71	-	-	-	-	-	-	007641	007648	007655	-	-	-	-	-	-	-	-	-	-
75	-	-	-	-	-	-	007642	007649	007656	-	-	-	-	-	-	-	-	-	-
80	-	-	-	-	-	-	007643	007650	007657	-	-	-	-	-	-	-	-	-	-
85	-	-	-	-	-	-	-	007651	007658	-	-	-	-	-	-	-	-	-	-
90	-	-	-	-	-	-	-	007652	007659	-	-	-	-	-	-	-	-	-	-
95	-	-	-	-	-	-	-	007653	007660	-	-	-	-	-	-	-	-	-	-
100	-	-	-	-	-	-	-	-	007661	007664	-	-	-	-	-	-	-	-	-
105	-	-	-	-	-	-	-	-	007662	007665	007669	-	-	-	-	-	-	-	-
110	-	-	-	-	-	-	-	-	007663	007666	007670	-	-	-	-	-	-	-	-
120	-	-	-	-	-	-	-	-	-	007667	007671	-	-	-	-	-	-	-	-
125	-	-	-	-	-	-	-	-	-	007668	007672	-	-	-	-	-	-	-	-
130	-	-	-	-	-	-	-	-	-	-	007673	-	-	-	-	-	-	-	-

Grid-Lign coupling grid / cover assembly

Coupling size	Grid	T10 cover assembly	T20 cover assembly
1020T	006275	006250	006260
1030T	006276	006251	006261
1040T	006277	006252	006262
1050T	006278	006253	006263
1060T	006279	006254	006264
1070T	006280	006255	006265
1080T	006281	006256	006266
1090T	006282	006257	006267
1100T	006283	006258	006268
1110T	006284	006259	006269
1120T	007462	007471	426672
1130T	007463	007472	426673
1140T	007464	007473	426674
1150T	007465	007474	007011
1160T	007466	007475	007012
1170T	007467	007476	007013
1180T	007468	007477	007014
1190T	007469	007478	007015
1200T	007470	007479	007016

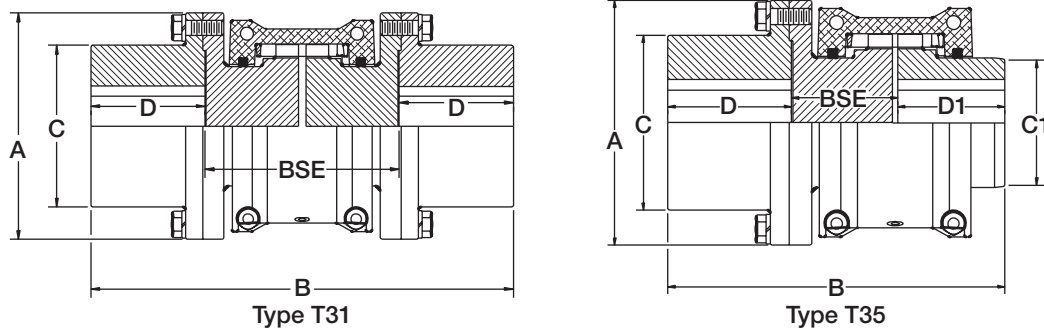
Note 1: 1020T - 1090T hubs come standard as transitional fit per ISO R775. Interference fit available upon request.

Note 2: 1100T - 1200T hubs come standard as interference fit per ISO R775. Clearance fit available upon request.

See page 51 for additional details.

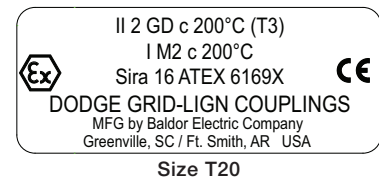
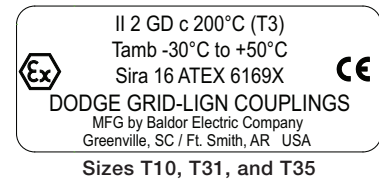
Ratings/dimensions

Dodge® Grid-Lign spacer straight bore couplings



Grid-Lign spacer straight bore couplings

Coupling size	Straight bore		kW / 100 Str. hub	Torque Str. hub (N-m)	Max. RPM	T31 Mass*	
	Min. bore (mm)	Max. bore (mm)				(1)	(2)
1020T	0	42	0.54	52	3,600	3.67	0.01
1030T	0	47	1.56	149	3,600	5.03	0.01
1040T	0	64	2.61	249	3,600	8.16	0.02
1050T	0	70	4.55	435	3,600	12.97	0.03
1060T	0	84	7.16	684	3,600	19.37	0.04
1070T	0	89	10.41	994	3,600	23.72	0.05
1080T	0	96	21.48	2,051	3,600	38.46	0.07
1090T	0	110	39.04	3,728	3,600	58.97	0.09
1100T	0	130	65.72	6,276	2,440	—	—
1110T	0	150	97.6	9,321	2,250	—	—
1120T	61	170	143.15	13,671	2,025	—	—
1130T	67	180	208.22	19,885	1,800	—	—
1140T	67	205	299.32	28,585	1,650	—	—
1150T	105	265	416.45	39,771	1,500	—	—
1160T	117	290	585.62	55,927	1,350	—	—
1170T	130	340	780.84	74,570	1,225	—	—
1180T	148	350	1,082.52	103,381	1,100	—	—
1190T	148	385	1,431.54	136,712	1,050	—	—
1200T	173	400	1,952.09	186,425	900	—	—



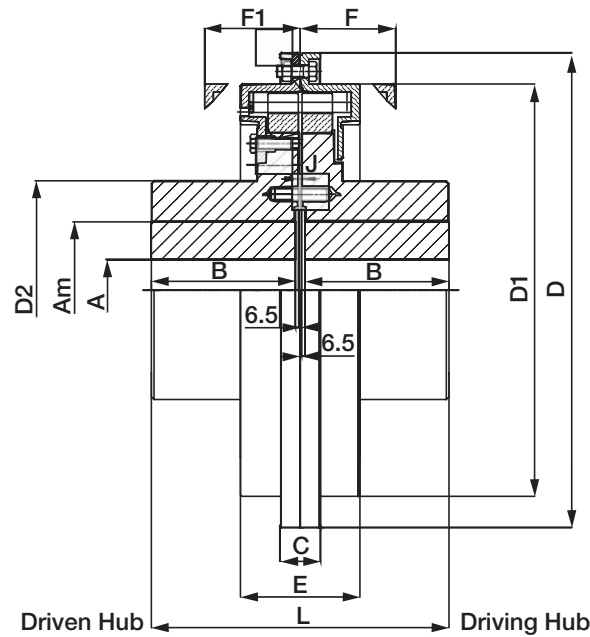
- (1) Weight of T31 coupling at maximum bore.
 - (2) Weight adder per inch
 - (3) Inertia of T31 coupling at maximum bore
 - (4) Inertia adder per inch.
- * For weight and inertia of T35 use 1/2 of T31 value and 1/2 T10 value

Dimensions

Coupling size	A (mm)	C (mm)	C1 (mm)	D (mm)	D1 (mm)	T31 BSE		T35 BSE		T31 Inertia (Lb. Ft. ²)	
						Min.	Max.	Min.	Max.	(3)	(4)
1020T	86	52	40	35	48	88.9	203.2	45.21	102.36	0.003	0
1030T	94	59	49	41	48	88.9	215.9	45.21	108.71	0.005	0
1040T	113	79	57	54	51	88.9	215.9	45.21	108.71	0.009	0
1050T	125	87	67	60	60	111.25	215.9	56.39	108.71	0.02	0.001
1060T	145	103	76	73	64	127	330.2	64.26	165.86	0.04	0.001
1070T	152	109	87	80	76	127	330.2	64.26	165.86	0.05	0.002
1080T	178	122	105	89	89	184.15	406.4	92.96	203.96	0.11	0.004
1090T	210	143	124	102	99	184.15	406.4	92.96	203.96	0.21	0.008
1100T	251	170	142	90	122	203.2	406.4	99.82	201.42	—	—
1110T	276	195	160	105	127	209.55	406.4	121.92	201.42	—	—
1120T	319	225	179	121	150	246.13	406.4	146.81	194.31	—	—
1130T	346	238	217	133	163	257.05	406.4	165.86	200.66	—	—
1140T	386	267	254	152	185	266.7	406.4	187.96	200.66	—	—
1150T	425	333	269	171	183	342.9	374.65	168.91	184.91	—	—
1160T	457	365	305	191	198	342.9	406.4	168.91	200.66	—	—
1170T	527	422	356	222	216	381	444.5	187.96	219.71	—	—
1180T	591	451	394	254	239	400.05	490.47	197.61	242.82	—	—
1190T	660	508	465	279	259	406.4	530.35	203.2	262.64	—	—
1200T	711	530	498	308	279	444.5	571.5	223.52	283.21	—	—

Ratings / dimensions / part numbers

Dodge® Grid-Lign S-series couplings



F & F1: Clearance for grid spring assembly and removal

Grid-Lign S-series couplings

Coupling size	Am ⁽¹⁾ (max. bore, mm)		kW / 100	Torque (N-m)	Max. RPM	Dimensions											
	Standard	Extended ⁽¹⁾				Standard	Dynamically balanced	A (rough bore)	B (mm)	C (mm)	D (mm)	D1 (mm)	D2 (mm)	E (mm)	F (mm)	F1 (mm)	J (mm)
150	270	315	2,827	270,000	500	950	120	270	76	890	773	410	224	210	215	4 ⁽²⁾	557
220	300	410	4,188	400,000	400	800	165	300	80	1,015	910	450	220	210	215	5 ⁽³⁾	618
300	340	505	5,654	540,000	370	700	180	340	92	1,180	1,050	550	224	210	215	5 ⁽³⁾	698
380	370	525	7,329	700,000	320	600	180	370	92	1,320	1,195	600	224	210	215	5 ⁽³⁾	758
480	390	555	8,377	800,000	320	600	180	400	92	1,360	1,220	620	265	250	255	6 ⁽³⁾	819

(1) Extended max bores must be specified at time of order entry. (2) +2 / -2 tolerance (3) +2 / -3 tolerance

Coupling size	2 withdrawal holes diameter	Mass (Kg) with rough bore	Mass of grease (Kg)
150	360 / M24	990	12
220	380 / M24	1,260	22
300	450 / M30	1,860	27
380	500 / M30	2,390	30
480	—	2,830	45

Complete Grid-Lign S-series coupling consists of: one grid, one cover and two hubs

Grid-Lign S-series coupling hubs

Bore (mm)	Coupling size				
	150	220	300	380	480

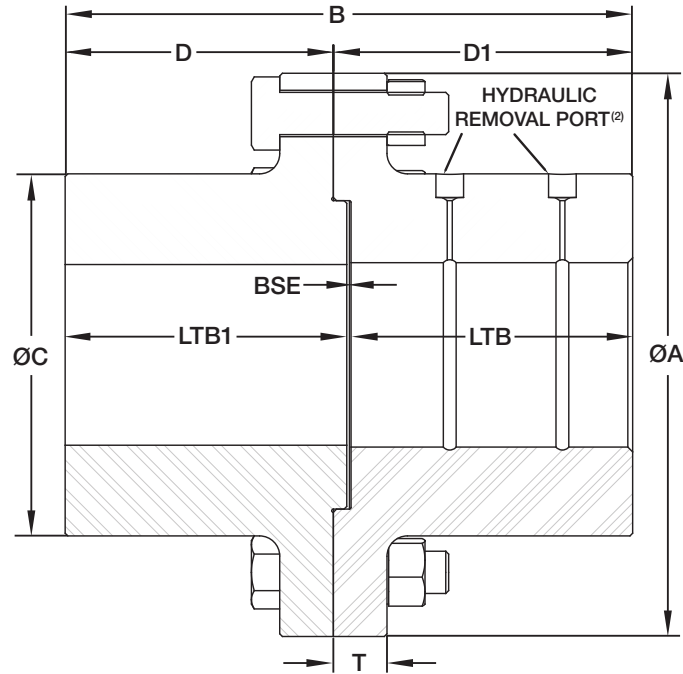
Part numbers available upon request or on a made-to-order basis

Grid-Lign S-series coupling grid and cover

Coupling size	Grid	Cover
150		
220		
300	Part numbers available upon request or on a made-to-order basis	
380		
480		

Ratings/dimensions

Dodge® DM Moment couplings



DM moment couplings

Size	Max. bore (mm)	Torque (N-m)	A (mm)	B (mm)	C (mm)	D (mm)	D1 (mm)	Driven LTB 1 (mm)	Driven LTB (mm)	BSE (mm)	T (mm)	Number of bolts	Mass (Kg)
DM50	120	6,096	266.7	268.7	171.5	127	141.7	133.4	133.4	2	1	7	50
DM75	130	9,193	279.4	321.3	181.1	144.5	176.8	150.9	150.9	2	1	10	59
DM100	125	11,321	285.8	294.1	200.9	139.7	154.4	146.1	146.1	2	1.13	12	70
DM150	140	17,340	322.6	306.8	235	146.1	160.8	152.4	152.4	2	1.13	16	99
DM210	150	24,872	368.3	306.8	263.7	146.1	160.8	152.4	152.4	2	1.50	14	134
DM285	175	32,995	400.1	357.6	292.1	171.5	186.2	177.8	177.8	2	1.50	17	188
DM390	175	48,086	450.9	362.2	325.4	173.7	188.5	180.1	180.1	2	1.50	14	239
DM525	225	62,628	476.3	433.8	355.6	209.6	224.3	215.9	215.9	2	1.50	17	315
DM700	250	83,097	539.8	497.3	400.1	241.3	256	247.7	247.7	2	1.75	20	459
DM920	280	103,946	603.3	522.7	469.9	254	268.7	260.4	260.4	2	1.75	22	657
DM1400	340	172,719	749.3	586.2	546.1	292.1	292.1	290.1	298.5	2	2	20	1,011
DM2100	380	251,815	838.2	637	635	317.5	317.5	315.5	323.9	2	2	26	1,462

(1) Weight of coupling at minimum bore

(2) Hydraulic removal option is available on both driver and driven hubs. All dimensions remain the same for either option.

Modifications/Accessories

Para-Flex® elements - part numbers

Element Size	Standard	Neoprene (1)	Cordless (2)	Mass
	Part no.	Part no.	Part no.	(Kg)
PX40	011529	012455	012456	0.14
PX50	011105	011296	011285	0.32
PX60	011106	011297	011286	0.54
PX70	011107	011298	011287	0.73
PX80	011108	011299	011288	1
PX90	011109	011300	011289	1.09
PX100	011110	011301	011290	1.13
PX110	011111	011302	—	1.36
PX120	011112	011303	011292	2.18
PX140	011114	011304	—	2.54
PX160	011117	011305	—	4.13
PX200	011120	011306	—	9.43
PX240	011124	011312	—	12.25
PX280	011457	011313	—	20.41
PX320	011463	011315	—	36.29

(1) Neoprene element ratings are the same as the standard natural rubber element ratings. (Green sticker or painted mark)

(2) Cordless elements have an average static torsional stiffness 25% of the standard element and approximately 25% of the torque rating. (White sticker or painted mark)

Grid-Lign replacement grids, covers, and seals - part numbers

Coupling size	Grid	T10 cover assembly	T10 seal kit	T20 cover assembly	T20 seal kit
1020T	006275	006250	006805	006260	006815
1030T	006276	006251	006806	006261	006816
1040T	006277	006252	006807	006262	006817
1050T	006278	006253	006808	006263	006818
1060T	006279	006254	006809	006264	006819
1070T	006280	006255	006810	006265	006820
1080T	006281	006256	006811	006266	006821
10901	006282	006257	006812	006267	006822
1100T	006283	006258	006813	006268	006823
1110T	006284	006259	006814	006269	006824
1120T	007462	007471	007520	426672	007529
1130T	007463	007472	007521	426673	007530
1140T	007464	007473	007522	426674	007531
1150T	007465	007474	007523	007011	007532
1160T	007466	007475	007524	007012	007533
1170T	007467	007476	007525	007013	007534
1180T	007468	007477	007526	007014	007535
1190T	007469	007478	007527	007015	007536
1200T	007470	007479	007528	007016	007537

Engineering Section

Para-Flex® torsional stiffness

Size	Nm / degree ⁽¹⁾
PX40	14
PX50	25
PX60	47
PX70	61
PX80	99
PX90	123
PX100	173
PX110	273
PX120	454
PX140	937
PX160	1,356
PX200	3,277
PX240	5,423
PX280	11,072
PX320	17,061

D-Flex torsional stiffness

Size	EPDM & neoprene (Nm / radian)	Hytrek (Nm / radian)
5	103	—
6	194	1,130
7	313	2,260
8	490	3,390
9	777	5,367
10	1,241	11,298
11	1,955	14,123
12	3,107	25,422
13	4,898	41,680
14	7,771	67,028
16	20,391	—

* Values shown are for an ambient temperature of 75°F (24°C)

Raptor torsional stiffness

Size	Nm / degree ⁽¹⁾
E2	153
E3	213
E4	306
E5	645
E10	758
E20	798
E30	1,828
E40	2,925
E50	5,205
E60	9,166
E70	12,337
E80	18,612
E100	29,779
E120	47,646
E140	76,235

(1) Values are nominal and may vary ±20%. To convert static values to approximate dynamic values, multiply the static values by 1.2

Comparative misalignment table

Coupling type	Sizes	Misalignment		
		Angular	Parallel (mm)	Axial (mm)
Raptor	2 - 10	4°	4.76	7.94
	20 - 50	3°	4.76	7.94
	60 - 80	2°	4.76	7.94
	100 - 140	1.5°	4.76	7.94
Para-Flex ¹		4°	3.18	3.96
Grid-Lign		0.5°	0.31	9.53
Gear	1 - 5	1.5° per gear mesh	Varies by size, see page 36	Varies by size, consult Dodge® engineering
	6 - 7	0.75° per gear mesh		

Engineering Section

D-Flex misalignment table

Size	EPDM & neoprene			Hytrel		
	Parallel (mm)	Angular ⁽¹⁾	End float (mm) ⁽²⁾	Parallel (mm)	Angular ⁽¹⁾	End float (mm) ⁽²⁾
3	0.25	1°	0.76	—	—	—
4	0.25	1°	0.76	—	—	—
5	0.38	1°	1.17	—	—	—
6	0.38	1°	1.52	0.25	0.25°	+ / -1.52
7	0.51	1°	1.52	0.31	0.25°	+ / -1.52
8	0.51	1°	2.44	0.38	0.25°	+ / -2.44
9	0.64	1°	2.44	0.43	0.25°	+ / -2.44
10	0.64	1°	3.18	0.51	0.25°	+ / -3.18
11	0.81	1°	3.18	0.56	0.25°	+ / -3.18
12	0.81	1°	3.18	0.64	0.25°	+ / -3.18
13	1.02	1°	3.18	0.76	0.25°	+ / -3.18
14	1.14	1°	3.18	0.89	0.25°	+ / -3.18
16	1.58	1°	3.18	—	—	—

(1) Values are for when 1 / 4 or more of the rated torque is transmitted, reduce values by 50% for lower torques

(2) Increase E dimension by this amount to accommodate end float

Temperature range

Coupling type	°C	
Raptor ⁽¹⁾	Standard element	-43°C to 105°C (1)
	Armored element	-43°C to 105°C (1)
Para-Flex® ⁽²⁾		-43°C to 82°C (2)
D-Flex	EPDM	-34°C to 135°C
	Neoprene	-18°C to 93°C
	Hytrel	-54°C to 121°C
Grid-Lign	—	-30°C to 120°C (3)
Gear	—	-30°C to 120°C (3)

(1) Reference Raptor high temperature adjustment factors for applications in excess of 80° C

(2) -40°C to 99°C for Neoprene

(3) When using Dodge® recommended lubrication, consult MN4001 or MN4026 for additional information

Raptor high temperature adjustment factors

Temperature range	Adjustment
82°C - 93°C	+ 0.75
94°C - 105°C	+ 1

Note: High temperature adjustment factors are only to be added to the standard application service factors as needed. High temperature service factors are not included in the standard application service factors in order to prevent oversizing coupling selections.

Elastomer chemical compatibility

Ratings • 1- Minor Effect 2-Moderate Effect 3-Severe Effect nd-No Data

Substance	Nat. rubber	Neoprene	EPDM	Hytrel	Armored element	Substance	Nat. rubber	Neoprene	EPDM	Hytrel	Armored element
Acetic Acids	2	1	1	1	3	Hydrobromic Acid (40%)	1	2	1	nd	2
Acetic Anhydride	2	1	2	nd	3	Kerosene	3	2	3	nd	2
Alcohols, Monohydric	2	1	2	nd	nd	Lacquers	3	3	3	2	3
Ammonia Anhydrous	3	1	1	nd	2	Lead Sulfamate	2	1	1	nd	nd
ASTM A Oils	3	1	1	1	1	Mineral Oil	3	2	2	1	1
Animal Fats	3	2	2	nd	2	Naphtha	3	2	3	1	2
Benzene	3	3	3	2	3	Nickel Chloride	1	2	1	nd	3
Carbonic Acid	3	2	2	nd	3	Nitric Acid (10%)	1	2	2	2	3
Calcium Bisulfite	2	1	3	nd	nd	Ozone	3	2	1	nd	1
Chloracetone	2	2	1	2	3	Petroleum (<250°F)	3	2	3	nd	2
Chloroacetic Acid	2	1	1	nd	3	Potassium Dichromate	2	1	1	nd	1
Copper Sulphate	2	1	1	1	1	Salt Water	1	2	1	1	2
Corn Oil	2	2	2	nd	1	Silicone Oils	1	1	1	1	1
Diesel Oil	3	2	3	1	2	Sulfuric Acid (Conc.)	3	3	3	3	3
Fuel Oil	3	2	3	1	2	Vinegar	2	1	1	nd	3
Gasoline	2	2	3	1	2	Zinc Sulfate	2	1	1	nd	2

IEC Quick Selection Tables

Dodge® coupling quick selection @ 1500 RPM, 1.0 SF

IEC frame size	Shaft size (mm)	kW	Torque (NM)	D-Flex S Series		Raptor	Taper-Lock®	Para-Flex® Taper-Lock	Grid-Lign	DGF gear (2)
				EPDM	Hytrel	Finished bore				
56	9	0.06	0.38	—	—	—	E3	—	1020T	—
	9	0.09	0.57	—	—	—	E3	—	1020T	—
63	11	0.12	0.76	5S	—	E2	E3	—	1020T	DGF 1.0
	11	0.18	1.15	5S	—	E2	E3	—	1020T	DGF 1.0
71	14	0.25	1.59	5S	—	E2	E3	PXM40TL	1020T	DGF 1.0
	14	0.37	2.36	5S	—	E2	E3	PXM40TL	1020T	DGF 1.0
80	19	0.55	3.5	5S	—	E2	E3	PXM40TL	1020T	DGF 1.0
	19	0.75	4.78	5S	—	E2	E3	PXM40TL	1020T	DGF 1.0
90	24	1.1	7	5S	—	E2	E3	PXM40TL	1020T	DGF 1.0
	24	1.5	9.55	5S	—	E2	E3	PXM40TL	1020T	DGF 1.0
100	28	2.2	14.01	5S	—	E3	E5	PXM50TL	1020T	DGF 1.0
	28	3	19.1	5S	—	E3	E5	PXM50TL	1020T	DGF 1.0
112	28	4	25.47	5S	—	E3	E5	PXM50TL	1020T	DGF 1.0
132	38	5.5	35.02	6S	—	E4	E20	PXM60TL	1030T	DGF 1.0
	38	7.5	47.75	6S	—	E4	E20	PXM60TL	1030T	DGF 1.0
160	42	11	70.03	7S	6S	E5	E20	PXM60TL	1040T	DGF 1.0
	42	15	95.5	8S	6S	E5	E20	PXM60TL	1040T	DGF 1.0
180	48	18.5	118	8S	6S	E10	E30	PXM80TL	1050T	DGF 1.5
	48	22	140	9S	6S	E10	E30	PXM80TL	1050T	DGF 1.5
200	55	30	191	9S	7S	E20	E40	PXM90TL	1060T	DGF 1.5
225	60	37	236	10S	8S	E20	E40	PXM90TL	1070T	DGF 2.0
	60	45	287	10S	8S	E30	E40	PXM90TL	1070T	DGF 2.0
250	65	55	350	11S	9S	E30	E40	PXM90TL	1070T	DGF 2.0
280	75	75	478	11S	9S	E40	E60	PXM120TL	1080T	DGF 2.5
	75	90	573	12S	9S	E40	E60	PXM120TL	1080T	DGF 2.5
315	80	110	700	12S	9S	E50	E60	PXM140TL	1080T	DGF 2.5
	80	132	840	13S	10S	E50	E60	PXM140TL	1080T	DGF 2.5
	80	160	1,019	13S	10S	E60	E60	PXM140TL	1080T	DGF 2.5
	80	200	1,273	13S	10S	E60	E60	PXM140TL	1080T	DGF 2.5
	100	200	1,273	13S	11S	E60	E70	PXM140TL	1100T	DGF 3.0
355	100	250	1,592	14S	11S	E70	E70	PXM140TL	1100T	DGF 3.0
	100	315	2,006	14S	11S	E70	E70	PXM140TL	1100T	DGF 3.0
	100	355	2,260	16S	12S	E70	E70	PXM140TL	1100T	DGF 3.0
	100	400	2,547	16S	12S	E80	E80	PXM140TL	1100T	DGF 3.0
	110	450	2,865	16S	13S	E80	E80	PXM160TL	1100T	DGF 3.5
400	110	500	3,183	16S	13S	E80	E80	PXM160TL	1100T	DGF 3.5
	110	560	3,565	16S	13S	E80	E80	PXM160TL	1100T	DGF 3.5
	110	630	4,011	16S	13S	E80	E80	PXM160TL	1100T	DGF 3.5

(1) All selections assume that the driven hub will be equal to or less than the motor shaft diameter

(2) Gear coupling selections are Flex—Flex, small coupling could possible be utilized with Flex—Rigid configuration

IEC Quick Selection Tables

Dodge® coupling quick selection @ 3000 RPM, 1.0 SF

IEC frame size	Shaft size (mm)	kW	Torque (NM)	D-Flex S Series		Raptor		Para-Flex® Taper-Lock	Grid-Lign	DGF gear (2)
				EPDM	Hytrel	Finished bore	Taper-Lock®			
56	9	0.06	0.19	—	—	—	E3	—	1020T	—
	9	0.09	0.29	—	—	—	E3	—	1020T	—
63	11	0.12	0.38	5S	—	E2	E3	—	1020T	DGF 1.0
	11	0.18	0.57	5S	—	E2	E3	—	1020T	DGF 1.0
71	14	0.25	0.8	5S	—	E2	E3	PXM40TL	1020T	DGF 1.0
	14	0.37	1.18	5S	—	E2	E3	PXM40TL	1020T	DGF 1.0
80	19	0.55	1.75	5S	—	E2	E3	PXM40TL	1020T	DGF 1.0
	19	0.75	2.39	5S	—	E2	E3	PXM40TL	1020T	DGF 1.0
90	24	1.1	3.5	5S	—	E2	E3	PXM40TL	1020T	DGF 1.0
	24	1.5	4.78	5S	—	E2	E3	PXM40TL	1020T	DGF 1.0
100	28	2.2	7	5S	—	E3	E5	PXM50TL	1020T	DGF 1.0
	28	3	9.55	5S	—	E3	E5	PXM50TL	1020T	DGF 1.0
112	28	4	12.73	5S	—	E3	E5	PXM50TL	1020T	DGF 1.0
132	38	5.5	17.51	6S	—	E4	E20	PXM60TL	1030T	DGF 1.0
	38	7.5	23.88	6S	—	E4	E20	PXM60TL	1030T	DGF 1.0
160	42	11	35.02	6S	—	E5	E20	PXM60TL	1040T	DGF 1.0
	42	15	47.75	6S	—	E5	E20	PXM60TL	1040T	DGF 1.0
180	48	18.5	58.89	7S	6S	E10	E30	PXM80TL	1050T	DGF 1.5
	48	22	70.03	7S	6S	E10	E30	PXM80TL	1050T	DGF 1.5
200	55	30	95.5	7S	7S	E20	E40	—	1060T	DGF 1.5
225	55	37	118	8S	7S	E20	E40	—	1060T	DGF 1.5
	55	45	143	9S	8S	E20	E40	—	1060T	DGF 1.5
250	60	55	175	9S	8S	E20	E40	—	1070T	DGF 2.0
280	65	75	239	10S	9S	E30	E40	—	1070T	DGF 2.0
	65	90	287	10S	9S	E30	E40	—	1070T	DGF 2.0
315	65	110	350	11S	9S	E30	E40	—	1070T	DGF 2.0
	65	132	420	11S	9S	E40	E40	—	1070T	DGF 2.0
	65	160	509	11S	9S	E40	E40	—	1070T	DGF 2.0
	65	200	637	—	9S	E50	E50	—	1070T	DGF 2.0
	65	200	637	—	9S	E50	E50	—	1070T	DGF 2.0
355	70	250	796	—	9S	E50	E60	—	1080T	DGF 2.0
	70	315	1,003	—	10S	E60	E60	—	1080T	DGF 2.0
	70	355	1,130	—	10S	E60	E60	—	1080T	DGF 2.0
	70	400	1,273	—	10S	E60	E60	—	1080T	DGF 2.0
	80	450	1,433	—	11S	E70	E70	—	1080T	DGF 2.5
400	80	500	1,592	—	11S	E70	E70	—	1080T	DGF 2.5
	80	560	1,783	—	11S	E70	E70	—	1080T	DGF 2.5
	80	630	2,006	—	11S	E70	E70	—	1080T	DGF 2.5

(1) All selections assume that the driven hub will be equal to or less than the motor shaft diameter

(2) Gear coupling selections are Flex—Flex, small coupling could possibly be utilized with Flex—Rigid configuration

IEC Quick Selection Tables

Dodge® coupling quick selection @ 1500 RPM, 1.5 SF

IEC frame size	Shaft size (mm)	kW	Torque (NM)	D-Flex S Series		Raptor		Para-Flex® Taper-Lock	Grid-Lign	DGF gear (2)
				EPDM	Hytrell	Finished bore	Taper-Lock®			
56	9	0.06	0.57	—	—	—	E3	—	1020T	—
	9	0.09	0.86	—	—	—	E3	—	1020T	—
63	11	0.12	1.15	5S	—	E2	E3	—	1020T	DGF 1.0
	11	0.18	1.72	5S	—	E2	E3	—	1020T	DGF 1.0
71	14	0.25	2.39	5S	—	E2	E3	PXM40TL	1020T	DGF 1.0
	14	0.37	3.53	5S	—	E2	E3	PXM40TL	1020T	DGF 1.0
80	19	0.55	5.25	5S	—	E2	E3	PXM40TL	1020T	DGF 1.0
	19	0.75	7.16	5S	—	E2	E3	PXM40TL	1020T	DGF 1.0
90	24	1.1	10.51	5S	—	E2	E3	PXM40TL	1020T	DGF 1.0
	24	1.5	14.33	5S	—	E2	E3	PXM40TL	1020T	DGF 1.0
100	28	2.2	21.01	5S	—	E3	E5	PXM50TL	1020T	DGF 1.0
	28	3	28.65	6S	—	E3	E5	PXM50TL	1020T	DGF 1.0
112	28	4	38.2	6S	—	E3	E5	PXM50TL	1020T	DGF 1.0
132	38	5.5	52.53	7S	—	E4	E20	PXM60TL	1030T	DGF 1.0
	38	7.5	71.63	7S	—	E5	E20	PXM60TL	1030T	DGF 1.0
160	42	11	105	8S	7S	E5	E20	PXM60TL	1040T	DGF 1.0
	42	15	143	9S	7S	E10	E20	PXM60TL	1040T	DGF 1.0
180	48	18.5	177	9S	7S	E20	E30	PXM80TL	1050T	DGF 1.5
	48	22	210	10S	7S	E20	E30	PXM80TL	1050T	DGF 1.5
200	55	30	287	10S	7S	E30	E40	PXM90TL	1060T	DGF 1.5
225	60	37	353	11S	8S	E30	E40	PXM90TL	1070T	DGF 2.0
	60	45	430	11S	8S	E40	E40	PXM90TL	1070T	DGF 2.0
250	65	55	525	12S	9S	E40	E40	PXM100TL	1070T	DGF 2.0
280	75	75	716	12S	9S	E50	E60	PXM120TL	1080T	DGF 2.5
	75	90	860	13S	10S	E50	E60	PXM120TL	1080T	DGF 2.5
315	80	110	1,051	13S	10S	E60	E60	PXM140TL	1080T	DGF 2.5
	80	132	1,261	13S	10S	E60	E60	PXM140TL	1080T	DGF 2.5
	80	160	1,528	14S	11S	E70	E70	PXM140TL	1080T	DGF 2.5
	80	200	1,910	14S	11S	E70	E70	PXM140TL	1080T	DGF 2.5
	100	200	1,910	14S	11S	E70	E70	PXM140TL	1100T	DGF 3.0
355	100	250	2,388	16S	12S	E70	E70	PXM140TL	1100T	DGF 3.0
	100	315	3,008	16S	12S	E80	E80	PXM140TL	1100T	DGF 3.0
	100	355	3,390	16S	12S	E80	E80	PXM160TL	1100T	DGF 3.0
	100	400	3,820	16S	13S	E80	E80	PXM160TL	1100T	DGF 3.0
	110	450	4,298	16S	13S	E80	E80	PXM200TL	1100T	DGF 3.5
400	110	500	4,775	16S	13S	E100	E100	PXM200TL	1100T	DGF 3.5
	110	560	5,348	—	14S	E100	E100	PXM200TL	1100T	DGF 3.5
	110	630	6,017	—	14S	E100	E100	PXM200TL	1100T	DGF 3.5

(1) All selections assume that the driven hub will be equal to or less than the motor shaft for the driver bore

(2) Gear coupling selections are Flex—Flex, small coupling could possibly be utilized with Flex—Rigid configuration

IEC Quick Selection Tables

Dodge® Coupling Quick Selection @ 3000 RPM, 1.5 SF

IEC frame size	Shaft size (mm)	kW	Torque (NM)	D-Flex S Series		Raptor		Para-Flex® Taper-Lock	Grid-Lign	DGF gear (2)
				EPDM	Hytrek	Finished bore	Taper-Lock®			
56	9	0.06	0.29	—	—	—	E3	—	1020T	—
	9	0.09	0.43	—	—	—	E3	—	1020T	—
63	11	0.12	0.57	5S	—	E2	E3	—	1020T	DGF 1.0
	11	0.18	0.86	5S	—	E2	E3	—	1020T	DGF 1.0
71	14	0.25	1.19	5S	—	E2	E3	PXM40TL	1020T	DGF 1.0
	14	0.37	1.77	5S	—	E2	E3	PXM40TL	1020T	DGF 1.0
80	19	0.55	2.63	5S	—	E2	E3	PXM40TL	1020T	DGF 1.0
	19	0.75	3.58	5S	—	E2	E3	PXM40TL	1020T	DGF 1.0
90	24	1.1	5.25	5S	—	E2	E3	PXM40TL	1020T	DGF 1.0
	24	1.5	7.16	5S	—	E2	E3	PXM40TL	1020T	DGF 1.0
100	28	2.2	10.51	5S	—	E3	E5	PXM50TL	1020T	DGF 1.0
	28	3	14.33	5S	—	E3	E5	PXM50TL	1020T	DGF 1.0
112	28	4	19.1	5S	—	E3	E5	PXM50TL	1020T	DGF 1.0
132	38	5.5	26.26	6S	—	E4	E10	PXM60TL	1030T	DGF 1.0
	38	7.5	35.81	6S	—	E4	E10	PXM60TL	1030T	DGF 1.0
160	42	11	52.53	7S	6S	E5	E20	PXM60TL	1040T	DGF 1.0
	42	15	71.63	7S	6S	E5	E20	PXM60TL	1040T	DGF 1.0
180	48	18.5	88.34	8S	6S	E10	E30	PXM80TL	1050T	DGF 1.5
	48	22	105	8S	6S	E10	E30	PXM80TL	1050T	DGF 1.5
200	55	30	143	9S	7S	E20	E40	—	1060T	DGF 1.5
225	55	37	177	9S	7S	E20	E40	—	1070T	DGF 2.0
	55	45	215	10S	7S	E20	E40	—	1070T	DGF 2.0
250	60	55	263	10S	8S	E30	E40	—	1070T	DGF 2.0
280	65	75	358	11S	9S	E30	E40	—	1070T	DGF 2.0
	65	90	430	11S	9S	E40	E40	—	1070T	DGF 2.0
315	65	110	525	—	9S	E40	E40	—	1070T	DGF 2.0
	65	132	630	—	9S	E50	E50	—	1070T	DGF 2.0
	65	160	764	—	9S	E50	E50	—	1070T	DGF 2.0
	65	200	955	—	10S	E60	E60	—	1070T	DGF 2.0
	65	200	955	—	10S	E60	E60	—	1070T	DGF 2.0
355	70	250	1,194	—	10S	E60	E60	—	1080T	DGF 2.0
	70	315	1,504	—	11S	E70	E70	—	1080T	DGF 2.0
	70	355	1,695	—	11S	E70	E70	—	1080T	DGF 2.0
	70	400	1,910	—	11S	E70	E70	—	1080T	DGF 2.0
	80	450	2,149	—	—	E70	E70	—	1090T	DGF 2.0
400	80	500	2,388	—	—	E70	E70	—	1090T	DGF 2.0
	80	560	2,674	—	—	—	—	—	1090T	DGF 2.0
	80	630	3,008	—	—	—	—	—	1090T	DGF 2.0

(1) All selections assume that the driven hub will be equal to or less than the motor shaft diameter

(2) Gear coupling selections are Flex—Flex, small coupling could possibly be utilized with Flex—Rigid configuration

Part Numbers

Part Number	Page	Part Number	Page	Part Number	Page	Part Number	Page	Part Number	Page	Part Number	Page
00383.....	43	003835.....	43	004868.....	31	004923.....	31	004972.....	31	006290.....	41
001300.....	43	003836.....	43	004869.....	31	004924.....	31	004973.....	31	006292.....	41
001301.....	43	003837.....	43	004870.....	31	004925.....	31	004974.....	31	006293.....	41
001302.....	43	003838.....	43	004871.....	31	004926.....	31	004975.....	31	006294.....	41
001303.....	43	003839.....	43	004872.....	31	004927.....	31	004976.....	31	006295.....	41
001304.....	43	003840.....	43	004873.....	31	004928.....	31	004977.....	31	006296.....	41
001305.....	43	003841.....	43	004874.....	31	004929.....	31	004978.....	31	006297.....	41
001306.....	43	003843.....	43	004875.....	31	004930.....	31	004979.....	31	006298.....	41
001307.....	43	003844.....	43	004876.....	31	004931.....	31	004980.....	31	006299.....	41
001308.....	43	003845.....	43	004878.....	31	004932.....	31	004981.....	31	006300.....	41
001309.....	43	004177.....	31	004879.....	31	004933.....	31	004982.....	31	006301.....	41
001310.....	43	004178.....	31	004880.....	31	004934.....	31	004983.....	31	006305.....	43
001311.....	43	004179.....	31	004881.....	31	004935.....	31	004993.....	31	006306.....	43
001312.....	43	004180.....	31	004882.....	31	004936.....	31	004994.....	31	006307.....	43
001313.....	43	004181.....	31	004883.....	31	004937.....	31	004995.....	31	006308.....	43
001314.....	43	004182.....	31	004884.....	31	004938.....	31	005006.....	31	006309.....	43
001315.....	43	004193.....	31	004885.....	31	004939.....	31	005007.....	31	006310.....	43
001316.....	43	004212.....	31	004886.....	31	004940.....	31	005008.....	31	006311.....	43
001317.....	43	004213.....	31	004887.....	31	004941.....	31	006245.....	41	006312.....	43
001318.....	43	004214.....	31	004888.....	31	004942.....	31	006250.....	41, 43, 46	006497.....	43
001319.....	43	004215.....	31	004889.....	31	004943.....	31	006251.....	41, 43, 46	006498.....	43
001320.....	43	004216.....	31	004890.....	31	004944.....	31	006252.....	41, 43, 46	006499.....	43
001321.....	43	004218.....	31	004891.....	31	004945.....	31	006253.....	41, 43, 46	006504.....	43
001322.....	43	004219.....	31	004892.....	31	004946.....	31	006254.....	41, 43, 46	006505.....	43
001323.....	43	004220.....	31	004893.....	31	004947.....	31	006255.....	41, 43, 46	006506.....	43
001324.....	43	004222.....	31	004894.....	31	004948.....	31	006256.....	41, 43, 46	006507.....	43
001325.....	43	004246.....	31	004895.....	31	004949.....	31	006257.....	41, 43, 46	006516.....	43
001326.....	43	004247.....	31	004896.....	31	004950.....	31	006258.....	41, 43, 46	006517.....	43
001327.....	43	004248.....	31	004897.....	31	004951.....	31	006259.....	41, 43, 46	006518.....	43
001328.....	43	004249.....	31	004898.....	31	004952.....	31	006260.....	41, 46	006519.....	43
001329.....	43	004250.....	31	004899.....	31	004953.....	31	006261.....	41, 46	006520.....	43
001330.....	43	004251.....	31	004900.....	31	004954.....	31	006262.....	41, 46	006533.....	43
001331.....	43	004252.....	31	004901.....	31	004955.....	31	006263.....	41, 46	006534.....	43
001332.....	43	004253.....	31	004902.....	31	004956.....	31	006264.....	41, 46	006535.....	43
001333.....	43	004254.....	31	004903.....	31	004957.....	31	006265.....	41, 46	006536.....	43
001334.....	43	004256.....	31	004904.....	31	004958.....	31	006266.....	41, 46	006544.....	43
003821.....	43	004757.....	31	004905.....	31	004959.....	31	006267.....	41, 46	006545.....	43
003822.....	43	004856.....	31	004906.....	31	004960.....	31	006268.....	41, 46	006546.....	43
003823.....	43	004857.....	31	004907.....	31	004961.....	31	006269.....	41, 46	006553.....	43
003824.....	43	004858.....	31	004908.....	31	004962.....	31	006275.....	41, 43, 46	006554.....	43
003825.....	43	004859.....	31	004909.....	31	004963.....	31	006276.....	41, 43, 46	006555.....	43
003826.....	43	004860.....	31	004910.....	31	004964.....	31	006277.....	41, 43, 46	006559.....	43
003827.....	43	004861.....	31	004916.....	31	004965.....	31	006278.....	41, 43, 46	006561.....	43
003828.....	43	004862.....	31	004917.....	31	004966.....	31	006279.....	41, 43, 46	006562.....	43
003829.....	43	004863.....	31	004918.....	31	004967.....	31	006280.....	41, 43, 46	006563.....	43
003830.....	43	004864.....	31	004919.....	31	004968.....	31	006281.....	41, 43, 46	006569.....	43
003831.....	43	004865.....	31	004920.....	31	004969.....	31	006282.....	41, 43, 46	006570.....	43
003832.....	43	004866.....	31	004921.....	31	004970.....	31	006283.....	41, 43, 46	006805.....	46
003834.....	43	004867.....	31	004922.....	31	004971.....	31	006284.....	41, 43, 46	006806.....	46

Part Numbers

Part Number	Page	Part Number	Page	Part Number	Page	Part Number	Page	Part Number	Page	Part Number	Page
006807	46	007521	46	007612	41	007661	41	011300	46	013116	39
006808	46	007522	46	007613	41	007662	41	011301	46	013117	39
006809	46	007523	46	007614	41	007663	41	011302	46	013118	39
006810	46	007524	46	007615	41	007664	41	011303	46	013119	39
006811	46	007525	46	007616	41	007665	41	011304	46	013120	39
006812	46	007526	46	007617	41	007666	41	011305	46	013121	39
006813	46	007527	46	007618	41	007667	41	011306	46	013122	39
006814	46	007528	46	007619	41	007668	41	011312	46	013123	39
006815	46	007529	46	007620	41	007669	41	011313	46	013124	39
006816	46	007530	46	007621	41	007670	41	011315	46	013125	39
006817	46	007531	46	007622	41	007671	41	011457	25, 46	013126	39
006818	46	007532	46	007623	41	007672	41	011463	25, 46	013127	39
006819	46	007533	46	007624	41	007673	41	011529	27, 46	013128	39
006820	46	007534	46	007625	41	010300	25	012455	46	013129	39
006821	46	007535	46	007626	41	010301	25	012456	46	013130	39
006822	46	007536	46	007627	41	010302	25	012975	39	013131	39
006823	46	007537	46	007628	41	010303	25	012976	39	013132	39
006824	46	007579	41	007629	41	010304	25	012977	39	013133	39
007011	41, 46	007580	41	007630	41	010305	25	012978	39	013134	39
007012	41, 46	007582	41	007631	41	010306	25	012979	39	013135	39
007013	41, 46	007583	41	007632	41	010528	25	012980	39	013136	39
007014	41, 46	007584	41	007633	41	010529	25	012981	39	013137	39
007015	41, 46	007585	41	007634	41	010530	25	012982	39	013138	39
007016	41, 46	007586	41	007635	41	010531	25	012983	39	013139	39
007450	41	007587	41	007636	41	010532	25	012984	39	013140	39
007451	41	007588	41	007637	41	010533	25	013040	27	013141	39
007452	41	007589	41	007638	41	011105	25, 27, 46	013041	27	013142	39
007453	41	007590	41	007639	41	011106	25, 27, 46	013042	27	013143	39
007454	41	007591	41	007640	41	011107	25, 27, 46	013043	27	013144	39
007455	41	007592	41	007641	41	011108	25, 27, 46	013044	27	013145	39
007462	41, 43, 46	007593	41	007642	41	011109	25, 27, 46	013045	27	013146	39
007463	41, 43, 46	007594	41	007643	41	011110	25, 27, 46	013046	27	013147	39
007464	41, 43, 46	007595	41	007644	41	011111	25, 27, 46	013047	27	013148	39
007465	41, 46	007596	41	007645	41	011112	25, 27, 46	013048	27	013149	39
007466	41, 43, 46	007597	41	007646	41	011114	25, 27, 46	013049	27	013150	39
007467	41, 43, 46	007598	41	007647	41	011117	25, 27, 46	013050	27	013151	39
007468	41, 43, 46	007599	41	007648	41	011120	25, 27, 46	013051	27	013152	39
007469	41, 43, 46	007600	41	007649	41	011124	25, 27, 46	013052	27	013153	39
007470	41, 43, 46	007601	41	007650	41	011285	46	013053	27	013154	39
007471	41, 43, 46	007602	41	007651	41	011286	46	013054	27	013155	39
007472	41, 43, 46	007603	41	007652	41	011287	46	013055	27	013156	39
007473	41, 43, 46	007604	41	007653	41	011288	46	013095	27	013157	39
007474	41, 43, 46	007605	41	007654	41	011289	46	013096	27	013158	39
007475	41, 43, 46	007606	41	007655	41	011290	46	013110	39	013159	39
007476	43, 46	007607	41	007656	41	011292	46	013111	39	013160	39
007477	41, 46	007608	41	007657	41	011296	46	013112	39	013161	39
007478	41, 43, 46	007609	41	007658	41	011297	46	013113	39	013162	39
007479	41, 43, 46	007610	41	007659	41	011298	46	013114	39	013163	39
007520	46	007611	41	007660	41	011299	46	013115	39	013164	39

Part Numbers

Part Number	Page	Part Number	Page	Part Number	Page	Part Number	Page	Part Number	Page	Part Number	Page
013165.....	39	016854.....	21	016904.....	21	016954.....	21	017012.....	19, 22	017199.....	20, 23
015207.....	22	016855.....	21	016905.....	21	016955.....	21	017013.....	19, 22	017200.....	20, 23
015208.....	22	016856.....	21	016906.....	21	016956.....	21	017014.....	19, 22	017201.....	20, 23
015209.....	22	016857.....	21	016907.....	21	016957.....	21	017015.....	19, 22	017202.....	20, 23
015210.....	22	016858.....	21	016908.....	21	016958.....	21	017076.....	20	017203.....	20, 23
015211.....	22	016859.....	21	016909.....	21	016959.....	21	017077.....	20, 23	017204.....	20, 23
015212.....	22	016860.....	21	016910.....	21	016960.....	21	017078.....	20, 23	017205.....	20, 23
015213.....	22	016861.....	21	016911.....	21	016961.....	21	017079.....	20, 23	017230.....	20
015214.....	22	016862.....	21	016912.....	21	016962.....	21	017080.....	20, 23	017231.....	20, 23
015215.....	22	016863.....	21	016913.....	21	016963.....	21	017081.....	20, 23	017232.....	20, 23
015216.....	22	016864.....	21	016914.....	21	016964.....	21	017082.....	20, 23	017233.....	20, 23
015217.....	22	016865.....	21	016915.....	21	016965.....	21	017083.....	20, 23	017234.....	20, 23
015218.....	22	016866.....	21	016916.....	21	016966.....	21	017084.....	20, 23	017235.....	20, 23
015219.....	22	016867.....	21	016917.....	21	016967.....	21	017085.....	20, 23	017236.....	20, 23
015220.....	22	016868.....	21	016918.....	21	016968.....	21	017086.....	20, 23	017237.....	20, 23
015249.....	21	016869.....	21	016919.....	21	016969.....	21	017087.....	20, 23	017238.....	20, 23
015250.....	21	016870.....	21	016920.....	21	016970.....	21	017141.....	19	017239.....	20, 23
015251.....	21	016871.....	21	016921.....	21	016971.....	21	017142.....	19, 22	017240.....	20, 23
015252.....	21	016872.....	21	016922.....	21	016972.....	21	017143.....	19, 22	017241.....	20, 23
015253.....	21	016873.....	21	016923.....	21	016973.....	21	017144.....	19, 22	019820.....	21
015254.....	21	016874.....	21	016924.....	21	016974.....	21	017145.....	19, 22	019821.....	21
015255.....	21	016875.....	21	016925.....	21	016975.....	21	017146.....	19, 22	019822.....	21
015256.....	21	016876.....	21	016927.....	21	016976.....	21	017147.....	19, 22	019823.....	21
015257.....	21	016877.....	21	016928.....	21	016977.....	21	017148.....	19, 22	019824.....	21
015258.....	21	016878.....	21	016929.....	21	016978.....	21	017149.....	19, 22	019825.....	21
015259.....	21	016879.....	21	016930.....	21	016979.....	21	017150.....	19, 22	019826.....	21
015260.....	21	016880.....	21	016931.....	21	016980.....	21	017151.....	19, 22	019827.....	21
015261.....	21	016881.....	21	016932.....	21	016981.....	21	017152.....	19, 22	019828.....	21
015262.....	21	016882.....	21	016933.....	21	016982.....	21	017153.....	19, 22	019829.....	21
015263.....	21	016883.....	21	016934.....	21	016983.....	21	017154.....	19, 22	019830.....	21
015973.....	19	016884.....	21	016935.....	21	016984.....	21	017155.....	19, 22	019831.....	21
015974.....	19, 22	016885.....	21	016936.....	21	016985.....	21	017168.....	20	019832.....	21
015975.....	19, 22	016886.....	21	016937.....	21	016986.....	21	017169.....	20, 23	019833.....	21
015976.....	19, 22	016887.....	21	016938.....	21	016987.....	21	017170.....	20, 23	019834.....	21
015977.....	19, 22	016888.....	21	016939.....	21	016988.....	21	017171.....	20, 23	019835.....	21
015978.....	19, 22	016889.....	21	016940.....	21	016989.....	21	017172.....	20, 23	019836.....	21
015979.....	19, 22	016890.....	21	016941.....	21	016990.....	21	017173.....	20, 23	019837.....	21
015980.....	19, 22	016891.....	21	016942.....	21	016991.....	21	017174.....	20, 23	019838.....	21
015981.....	19, 22	016892.....	21	016943.....	21	016992.....	21	017175.....	20, 23	019839.....	21
015982.....	19, 22	016894.....	21	016944.....	21	016993.....	21	017176.....	20, 23	019840.....	21
015983.....	19, 22	016895.....	21	016945.....	21	016994.....	21	017177.....	20, 23	019841.....	21
015984.....	19, 22	016896.....	21	016946.....	21	016995.....	21	017178.....	20, 23	019842.....	21
015985.....	19, 22	016897.....	21	016947.....	21	016996.....	21	017179.....	20, 23	019843.....	21
015986.....	19, 22	016898.....	21	016948.....	21	016997.....	21	017181.....	19, 22	019844.....	21
015987.....	19, 22	016899.....	21	016949.....	21	016998.....	21	017194.....	20	019845.....	21
016850.....	21	016900.....	21	016950.....	21	017008.....	19	017195.....	20, 23	019846.....	21
016851.....	21	016901.....	21	016951.....	21	017009.....	19, 22	017196.....	20, 23	019847.....	21
016852.....	21	016902.....	21	016952.....	21	017010.....	19, 22	017197.....	20, 23	019848.....	21
016853.....	21	016903.....	21	016953.....	21	017011.....	19, 22	017198.....	20, 23	019849.....	21

Part Numbers

Part Number	Page	Part Number	Page	Part Number	Page	Part Number	Page	Part Number	Page	Part Number	Page
022918.....	33	100027.....	28	100090.....	29	115942.....	29	119593.....	28	119652.....	28
022919.....	33	100028.....	28	100091.....	29	115943.....	29	119594.....	28	119653.....	28
022920.....	33	100029.....	28	100092.....	29	115944.....	29	119595.....	28	119654.....	28
022921.....	33	100030.....	28	100093.....	29	115945.....	29	119596.....	28	119655.....	28
022922.....	33	100031.....	28	100094.....	29	115946.....	29	119598.....	28	119656.....	28
022923.....	33	100032.....	28	100095.....	29	115967.....	29	119599.....	28	119657.....	28
022924.....	33	100033.....	28	100096.....	29	115968.....	29	119600.....	28	119658.....	28
022925.....	33	100037.....	28	115456.....	29	115969.....	29	119601.....	28	119659.....	28
022926.....	33	100038.....	28	115458.....	29	115975.....	29	119602.....	28	119660.....	28
022927.....	33	100039.....	29	115459.....	29	117297.....	29	119603.....	28	119661.....	28
022928.....	33	100040.....	29	115460.....	29	117721.....	28	119604.....	28	119662.....	28
022929.....	33	100041.....	29	115461.....	29	117722.....	29	119605.....	28	119663.....	28
022930.....	33	100043.....	29	115462.....	29	117723.....	29	119606.....	28	119664.....	28
022931.....	33	100044.....	29	115463.....	29	117724.....	29	119607.....	28	119665.....	28
022932.....	33	100046.....	29	115464.....	29	117725.....	29	119608.....	28	119666.....	28
022933.....	33	100047.....	29	115465.....	29	117726.....	29	119609.....	28	119667.....	28
022934.....	33	100048.....	29	115466.....	29	117728.....	29	119610.....	28	119668.....	28
022935.....	33	100049.....	29	115467.....	29	117729.....	29	119611.....	28	119669.....	28
022936.....	33	100050.....	29	115469.....	29	117736.....	29	119612.....	28	119670.....	28
022937.....	33	100051.....	29	115470.....	29	117737.....	29	119613.....	28	119671.....	28
022938.....	33	100052.....	29	115471.....	29	117738.....	29	119614.....	28	119672.....	28
022939.....	33	100053.....	29	115472.....	28	119236.....	28	119615.....	28	119673.....	28
022940.....	33	100054.....	29	115473.....	28	119565.....	28	119616.....	28	119674.....	28
022941.....	33	100056.....	29	115474.....	28	119566.....	28	119617.....	28	119675.....	28
022942.....	33	100057.....	29	115476.....	28	119567.....	28	119618.....	28	119676.....	28
022943.....	33	100058.....	29	115477.....	28	119569.....	28	119619.....	28	119677.....	28
022944.....	33	100059.....	29	115479.....	28	119570.....	28	119620.....	28	119678.....	28
022945.....	33	100061.....	29	115480.....	28	119571.....	28	119621.....	28	119679.....	28
022946.....	33	100062.....	29	115481.....	28	119572.....	28	119622.....	28	119680.....	28
022947.....	33	100063.....	29	115851.....	28	119573.....	28	119623.....	28	119681.....	28
022948.....	33	100064.....	29	115902.....	29	119574.....	28	119624.....	28	119682.....	28
022949.....	33	100065.....	29	115904.....	29	119575.....	28	119625.....	28	119683.....	29
022950.....	33	100066.....	29	115905.....	29	119576.....	28	119626.....	28	119814.....	29
022951.....	33	100067.....	29	115906.....	29	119577.....	28	119627.....	28	119815.....	29
022952.....	33	100071.....	29	115912.....	29	119578.....	28	119628.....	28	119816.....	29
022953.....	33	100074.....	29	115917.....	29	119579.....	28	119629.....	28	119817.....	29
022954.....	33	100075.....	29	115918.....	29	119580.....	28	119630.....	28	119818.....	29
100004.....	28	100076.....	29	115919.....	29	119581.....	28	119640.....	28	119819.....	29
100012.....	28	100077.....	29	115921.....	29	119582.....	28	119641.....	28	119820.....	29
100014.....	28	100078.....	29	115924.....	29	119583.....	28	119642.....	28	393002.....	28
100016.....	28	100079.....	29	115925.....	29	119584.....	28	119643.....	28	393170.....	29
100018.....	28	100080.....	29	115928.....	29	119585.....	28	119644.....	28	394171.....	39
100019.....	28	100081.....	29	115935.....	29	119586.....	28	119645.....	28	394172.....	39
100020.....	28	100082.....	29	115936.....	29	119587.....	28	119646.....	28	394173.....	39
100021.....	28	100083.....	29	115937.....	29	119588.....	28	119647.....	28	394174.....	39
100023.....	28	100084.....	29	115938.....	29	119589.....	28	119648.....	28	394175.....	39
100024.....	28	100085.....	29	115939.....	29	119590.....	28	119649.....	28	394176.....	39
100025.....	28	100087.....	29	115940.....	29	119591.....	28	119650.....	28	394177.....	39
100026.....	28	100089.....	29	115941.....	29	119592.....	28	119651.....	28	394178.....	39

Part Numbers

Part Number	Page	Part Number	Page	Part Number	Page	Part Number	Page	Part Number	Page	Part Number	Page
394179.....	39	L050x8MM.....	36	L075x18MM.....	36	L099x14MM.....	37	L110x38MM.....	37	L190x38MM.....	37
394180.....	39	L050x9MM.....	36	L075x19MM.....	36	L099x14mm-PB.....	37	L110x40MM.....	37	L190x42MM.....	37
394350.....	31	L050x10MM.....	36	L075x20MM.....	36	L099x15MM.....	37	L110x42MM.....	37	L190x45MM.....	37
395122.....	28	L050x10MMNOKW ..	36	L075x22MM.....	36	L099x15MMNOKW ..	37	L150B.....	35	L190x48MM.....	37
395123.....	29	L050x11MM.....	36	L090-095B	35	L099x16MM.....	37	L150H.....	35	L190x50MM.....	37
395124.....	29	L050x12MM.....	36	L090-095H	35	L099x18MM.....	37	L150H-HOLE	35	L190x50MMNOKW ..	37
395125.....	29	L050x12MMNOKW ..	36	L090-095H-HOLE...35		L099x19MM.....	37	L150N.....	35	L190x55MM.....	37
395277.....	27	L050x14MM.....	36	L090-095N	35	L099x20MM.....	37	L150N-HOLE	35	L225B.....	35
395278.....	27	L050x14MMNOKW ..	36	L090-095N-HOLE...35		L099x22MM.....	37	L150U.....	35	L225H.....	35
395279.....	27	L050x15MM.....	36	L090-095U	35	L099x24MM.....	37	L150U-HOLE	35	L225H-HOLE	35
395280.....	27	L050x15MMNOKW ..	36	L090-095U-HOLE...35		L099x25MM.....	37	L150x16MM-PB	37	L225N.....	35
395281.....	27	L050x16MM.....	36	L090x8MM.....	36	L099x28MM.....	37	L150x17MM.....	37	L225N-HOLE	35
395282.....	27	L070B.....	35	L090x10MM.....	36	L099x30MM.....	37	L150x19MM.....	37	L225U.....	35
395285.....	27	L070H.....	35	L090x12MM.....	36	L100x12MM-PB	37	L150x20MM.....	37	L225x30MM-PB	37
395286.....	27	L070H-HOLE	35	L090x12MMNOKW ..	36	L100x14MM.....	37	L150x22M	37	L225x32MM.....	37
395371.....	31	L070N.....	35	L090x14mm.....	36	L100x15mm.....	37	L150x24MM.....	37	L225x32MMNOKW ..	37
395372.....	31	L070U.....	35	L090x14MMNOKW ..	36	L100x15MMNOKW ..	37	L150x25MM.....	37	L225x35MM.....	37
395373.....	31	L070U-HOLE	35	L090x15MM.....	36	L100x16MM.....	37	L150x28MM.....	37	L225x35MMNOKW ..	37
395374.....	31	L070x7MM.....	36	L090x16MM.....	36	L100x17MM.....	37	L150x30MM.....	37	L225x38MM.....	37
411982.....	33	L070x8MM.....	36	L090x17MM.....	36	L100x18MM.....	37	L150x32mm.....	37	L225x40MM.....	37
411983.....	33	L070x9MM.....	36	L090x18MM.....	36	L100x19MM.....	37	L150x32MMNOKW ..	37	L225x42MM.....	37
411984.....	33	L070x10mm.....	36	L090x19mm.....	36	L100x20MM.....	37	L150x35mm.....	37	L225x45MM.....	37
411985.....	33	L070x10MMNOKW ..	36	L090x19MMNOKW ..	36	L100x22MM.....	37	L150x35MMNOKW ..	37	L225x48MM.....	37
411986.....	33	L070x11MM.....	36	L090x20MM.....	36	L100x24MM.....	37	L150x38MM.....	37	L225x50MM.....	37
411987.....	33	L070x12mm.....	36	L090x22MM.....	36	L100x25MM.....	37	L150x40MM.....	37	L225x50MMNOKW ..	37
411988.....	33	L070x12MMNOKW ..	36	L090x24MM.....	36	L100x28MM.....	37	L150x42MM.....	37	L225x55MM.....	37
411989.....	33	L070x14MM.....	36	L090x25MM.....	36	L100x30MM.....	37	L150x45MM.....	37	L225x55MMNOKW ..	37
411990.....	33	L070x15mm.....	36	L095x11MM.....	36	L100x32MM.....	37	L150x48mm.....	37	L225x60MM.....	37
425730.....	31	L070x15MMNOKW ..	36	L095x12MM.....	36	L100x35MM.....	37	L150x48MMNOKW ..	37	L225x60MMNOKW ..	37
426013.....	29	L070x16MM.....	36	L095x14MM.....	36	L100x35MMNOKW ..	37	L150x50MM.....	37	L225x65MM.....	37
426376.....	28	L070x17MM.....	36	L095x14MMNOKW ..	36	L110B.....	35	L190B.....	35		
426672.....	41, 46	L070x18MM.....	36	L095x15mm.....	36	L110H.....	35	L190H.....	35		
426673.....	41, 46	L070x19MM.....	36	L095x15MMNOKW ..	36	L110H-HOLE	35	L190H-HOLE	35		
426674.....	41, 46	L075B.....	35	L095x16MM.....	36	L110N.....	35	L190N.....	35		
660248.....	33	L075H.....	35	L095x17MM.....	36	L110N-HOLE	35	L190N-HOLE	35		
L035N.....	35	L075H-HOLE	35	L095x18MM.....	36	L110U.....	35	L190U.....	35		
L035x4MM.....	36	L075N.....	35	L095x19MM.....	36	L110U-HOLE	35	L190x	37		
L035x5MM.....	36	L075N-HOLE	35	L095x20MM.....	36	L110x16MM-PB	37	L190x19MM.....	37		
L035x6MM.....	36	L075U.....	35	L095x22MM.....	36	L110x17MM.....	37	L190x19MM-PB	37		
L035x7MM.....	36	L075U-HOLE	35	L095x24MM.....	36	L110x18MM.....	37	L190x20MM.....	37		
L035x8MM.....	36	L075x9MM.....	36	L095x25MM.....	36	L110x19MM.....	37	L190x24MM.....	37		
L050B.....	35	L075x10MM.....	36	L095x28MM.....	36	L110x20MM.....	37	L190x25MM.....	37		
L050H.....	35	L075x11MM.....	36	L099-100B	35	L110x22MM.....	37	L190x28MM.....	37		
L050N.....	35	L075x12MM.....	36	L099-100H	35	L110x24MM.....	37	L190x28MMNOKW ..	37		
L050U.....	35	L075x14MM.....	36	L099-100H-HOLE...35		L110x25MM.....	37	L190x30MM.....	37		
L050x	36	L075x15mm.....	36	L099-100N	35	L110x28MM.....	37	L190x32MM.....	37		
L050x5MM.....	36	L075x15MMNOKW ..	36	L099-100N-HOLE...35		L110x30MM.....	37	L190x32MMNOKW ..	37		
L050x6MM.....	36	L075x16MM.....	36	L099-100U	35	L110x32MM.....	37	L190x35MM.....	37		
L050x7MM.....	36	L075x17mm.....	36	L099-100U-HOLE...35		L110x35MM.....	37	L190x35MMNOKW ..	37		

Contact us

new.abb.com/mechanical-power-transmission

We reserve the right to make technical changes or modify the contents of this document without prior notice. With regard to purchase orders, the agreed particulars shall prevail. ABB Ltd does not accept any responsibility whatsoever for potential errors or possible lack of information in this document.

We reserve all rights in this document and in the subject matter and illustrations contained herein. Any reproduction, disclosure to third parties or utilization of its contents - in whole or in part - is forbidden without prior written consent of ABB Ltd.

© Copyright 2016 ABB. All rights reserved.
Specifications subject to change without notice.

9AKK106887 EN 2017-03

